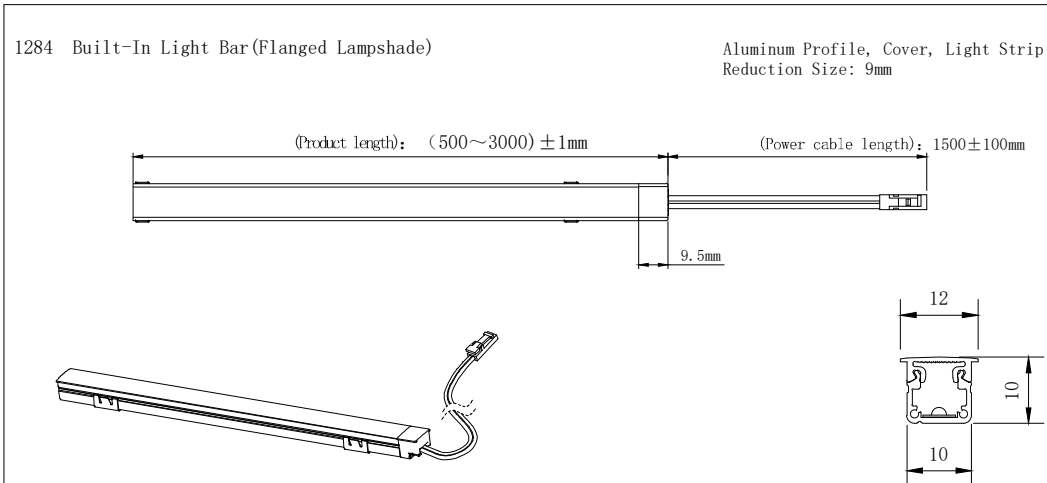


Installation Instruction

○ Preview



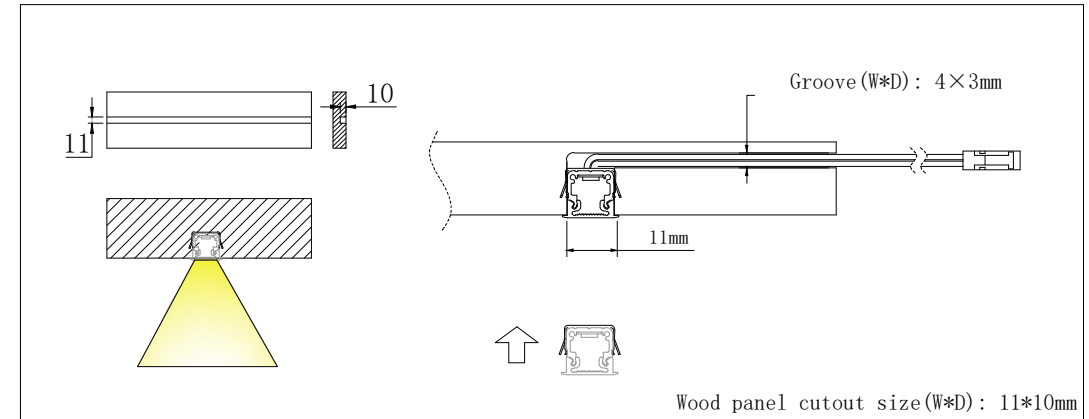
○ Parts List



○ Product Specifications and Applicable Cabinet Width

Item No.	Voltage	Power	Light Source	Color Temperature	CRI	(Working Temperature)	Sensor Switch	Connection
1284	DC12V	6W/M	COB 320PCS/M (single color)	3000K/4000K	≥ 90	$-20 \sim +40^{\circ}\text{C}$	No (external connection available)	Dupont cable

○ Installation View



○ Installation Steps

