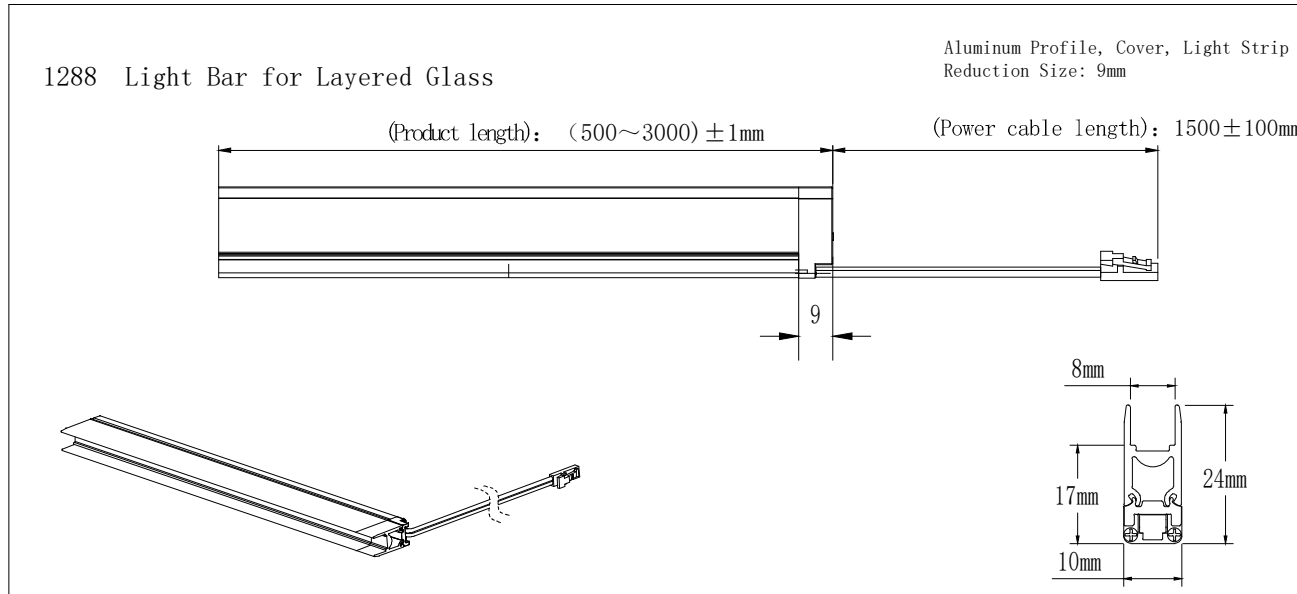


## Installation Instruction

### ○ Preview



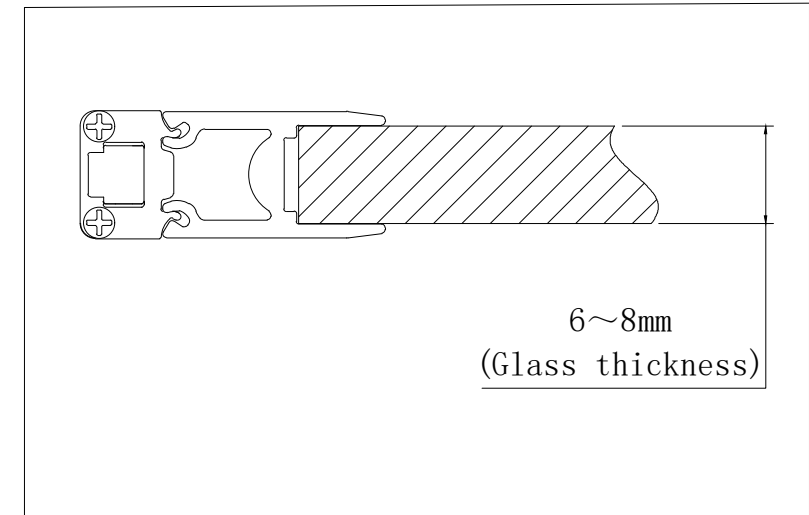
### ○ Parts List



### ○ Product Specifications and Applicable Cabinet Width

Item No.	Voltage	Power	Light Source	Color Temperature	CRI	(Working Temperature)	Sensor Switch	Connection
1288	DC12V	6W/M	COB 320PCS/M (single color)	3000K/4000K	$\geq 90$	$-20 \sim +40^{\circ}\text{C}$	No (external connection available)	Dupont cable

### ○ Installation View



### ○ Installation Steps

