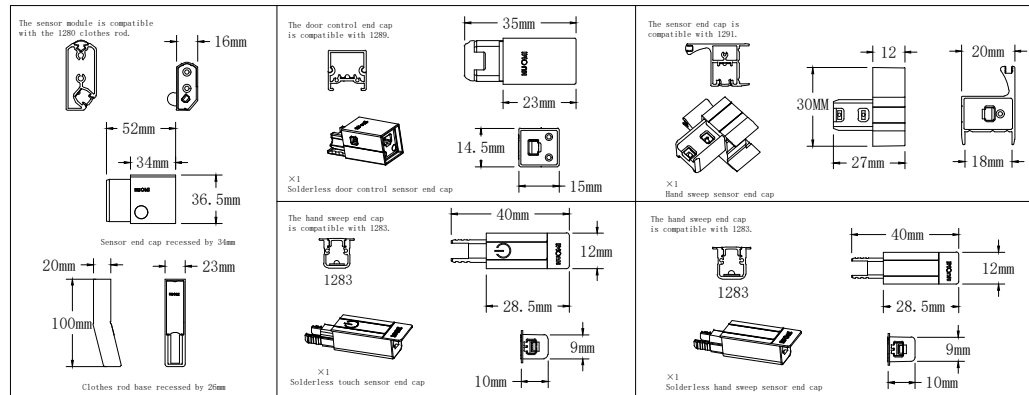


## Installation Instruction

### Preview



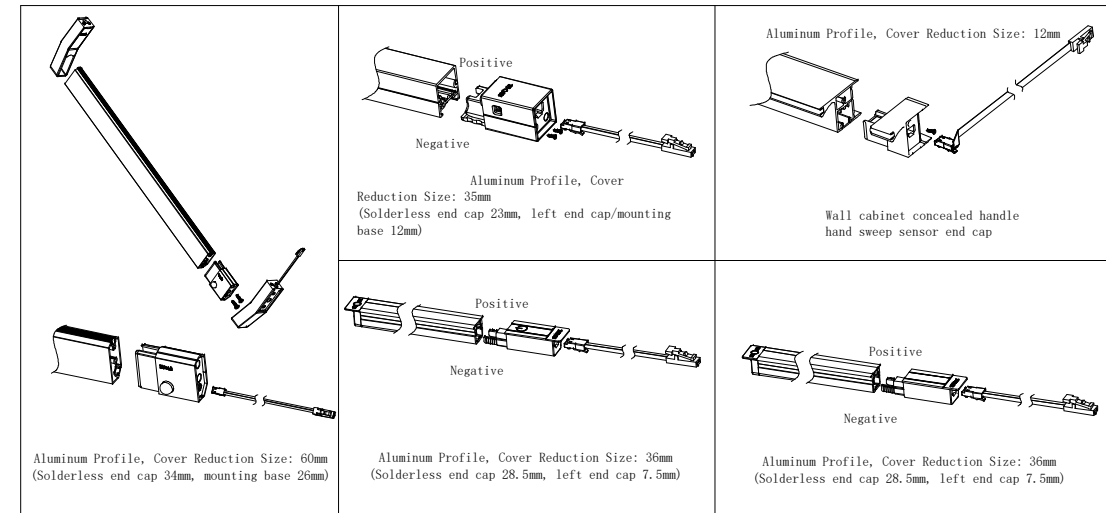
### Parts List

Solderless door control sensor end cap	×2	×2	×4 Screw (KA4×14)	×2 Screw (KA1.4×8)			
Solderless human body infrared sensor end cap	×1	×2	×2	×2	×4 Screw (KA4×25)	×4 Screw (KA4×16)	×2 Screw (KA3×12)
Wall cabinet concealed handle hand sweep sensor end cap	×1 Screw (KA1.4×8)						

### Product Specifications and Applicable Cabinet Width

Model	Name	Working Voltage	Hand Sweep Distance	Working Temperature	Sensor Switch	Applicable Product	Connection
12222011 12222013 12222014	Solderless touch sensor end cap	DC12V		-20~+45° C	Touch sensor	1283	Solderless cable 3011300097
12222017 12222018 12222019	Solderless door control sensor end cap	DC12V	30~50mm	-20~+45° C	Door control sensor	1289	Solderless cable 3011300097
12222026 12222027 12222028	Wall cabinet concealed handle hand sweep sensor end cap	DC12V	30~50mm	-20~+45° C	Hand sweep sensor	1291	(Flexible circuit board - Ultra-Thin Conductor) 3011300120 / (Solderless cable) 3011300097
12222020 12222021 12222022	Solderless human body infrared sensor end cap	DC12V	1~3mm	-20~+35° C	Human body infrared sensor	1280	Solderless cable 3011300097
12222032	Solderless hand sweep sensor end cap	DC12V	30~50mm	-20~+45° C	Hand sweep sensor	1283	Solderless cable 3011300097

### Installation View



### Installation Steps

