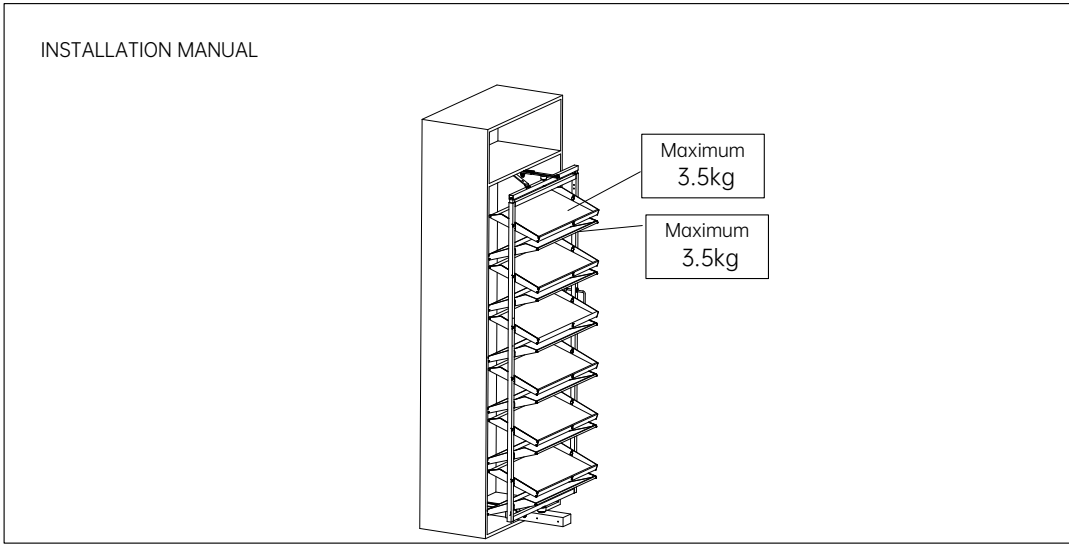


Installation instruction 01

● Preview

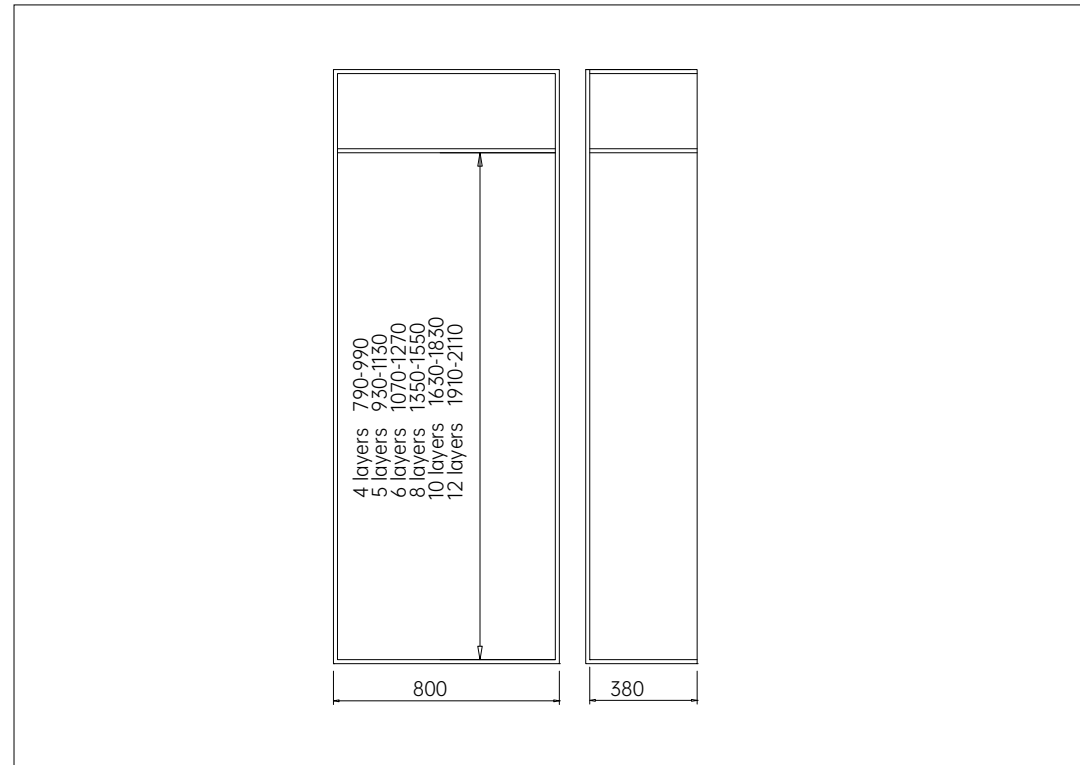


● Product Specifications and Applicable Cabinet Width

Specifications	Cabinet Internal Width	Tiers
700*360*(1910-2110)mm	≥764mm	12
700*360*(1630-1830)mm	≥764mm	10
700*360*(1350-1550)mm	≥764mm	8
700*360*(1070-1270)mm	≥764mm	6
700*360*(790-990)mm	≥764mm	4

● Parts list

<p>A</p> <p>4(Tier) X 4PCS 6(Tier) X 6PCS 8(Tier) X 8PCS 10(Tier) X 10PCS 12(Tier) X 12PCS</p> <p>Shoe Rack Tray</p>	<p>B</p> <p>4(Tier) X 8PCS 6(Tier) X 12PCS 8(Tier) X 16PCS 10(Tier) X 20PCS 12(Tier) X 24PCS</p> <p>Tray Plastic Fasteners</p>	<p>C</p> <p>X 1PCS</p> <p>Top Rail</p>
<p>D</p> <p>X 1PCS</p> <p>Bottom Rail</p>	<p>E</p> <p>X 2PCS</p> <p>Handle</p>	<p>F</p> <p>X 1PCS</p> <p>Main Frame</p>
<p>G</p> <p>X 2PCS</p> <p>M6*35</p>	<p>H</p> <p>X 3PCS</p> <p>M8 Nut</p>	
<p>I</p> <p>X 8PCS</p> <p>M4*16</p>	<p>J</p> <p>X 4PCS</p> <p>M4*5</p>	<p>K</p> <p>X 1PCS</p> <p>Open-end Wrench</p>
<p>L</p> <p>X 2PCS</p> <p>Silencing Sleeve</p>	<p>M</p> <p>X 1PCS</p> <p>Hex Key</p>	

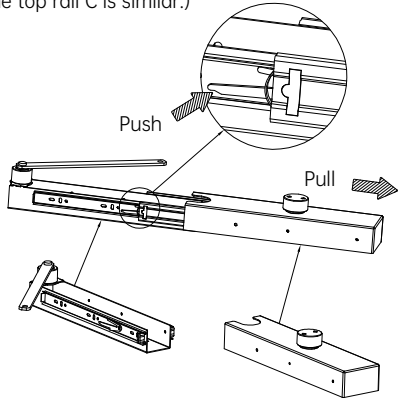


Installation instruction 02

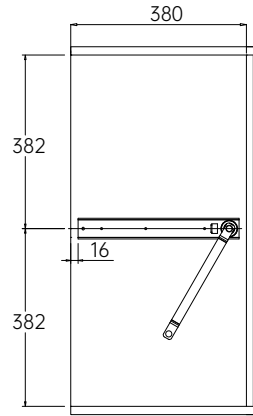
Installation Steps

Please follow the assembly sequence in Figures 1, 2, 3, and 4 to complete the assembly.

Method for Disassembling the Bottom Rail (D): As shown in the diagram, push the rail clips upward on one side and downward on the other side as indicated by the arrows, and simultaneously pull the rail cover outward. (The method for disassembling the top rail C is similar.)

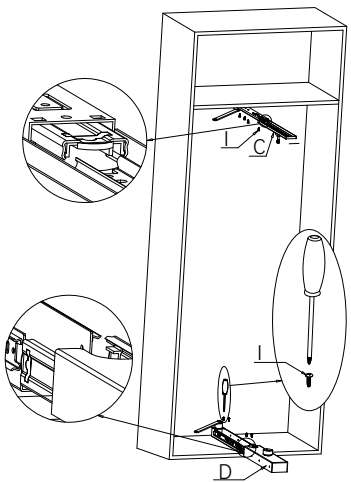


1

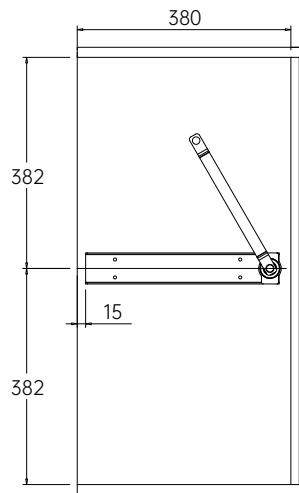


Installation Plan View for Top Rail

2-1

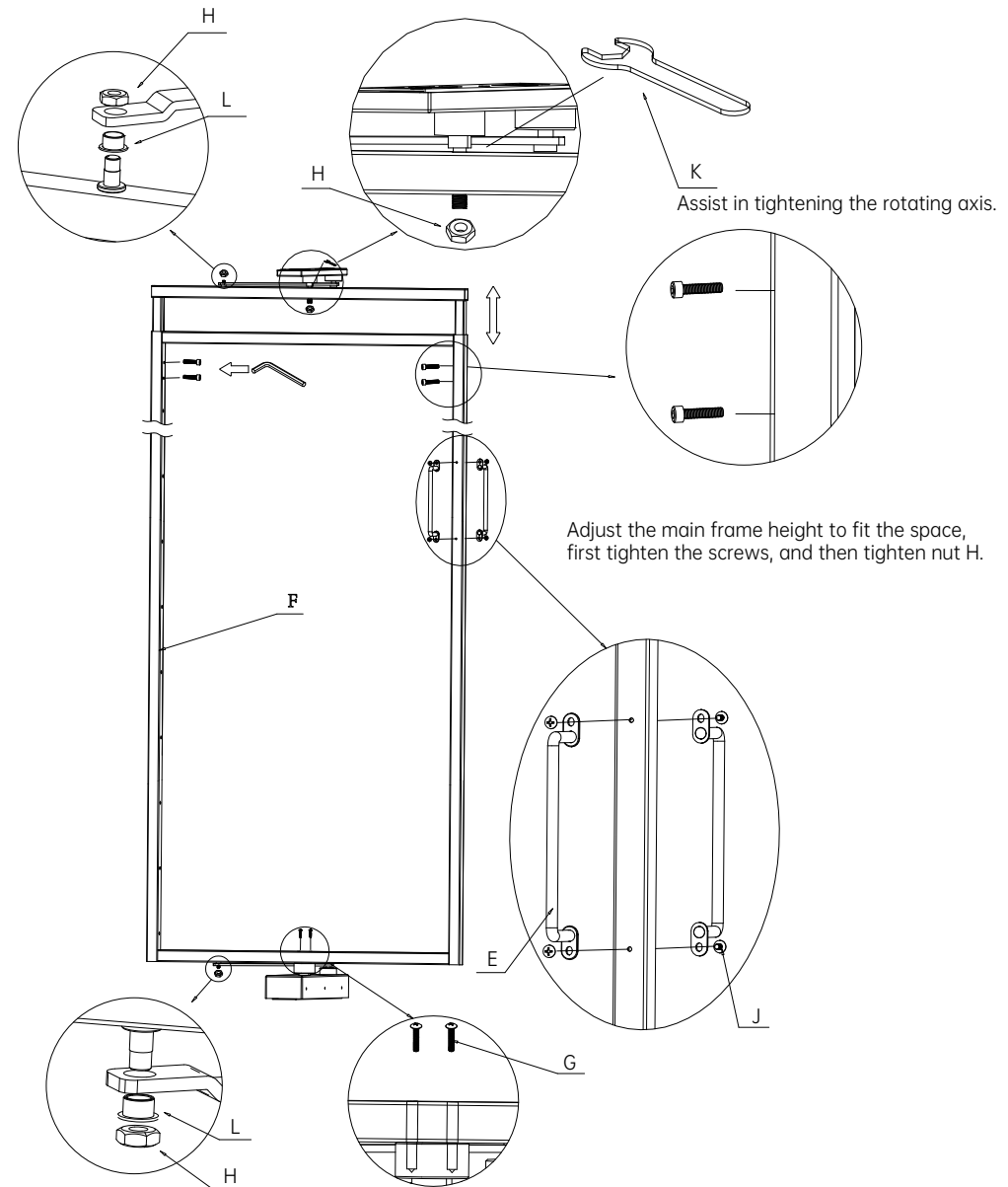


After tightening the screws, install the rail cover. 2-3



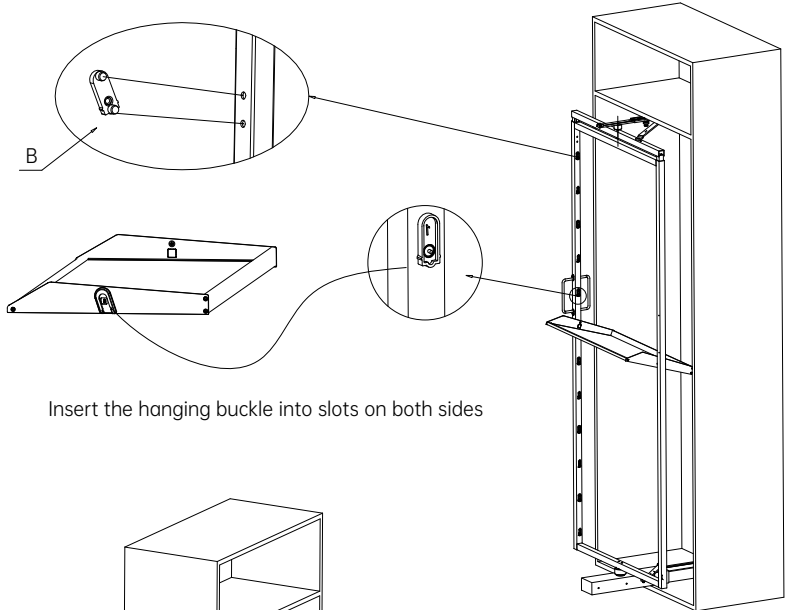
Installation Plan View for Bottom Rail

2-2



3

Installation instruction 03



Insert the hanging buckle into slots on both sides

