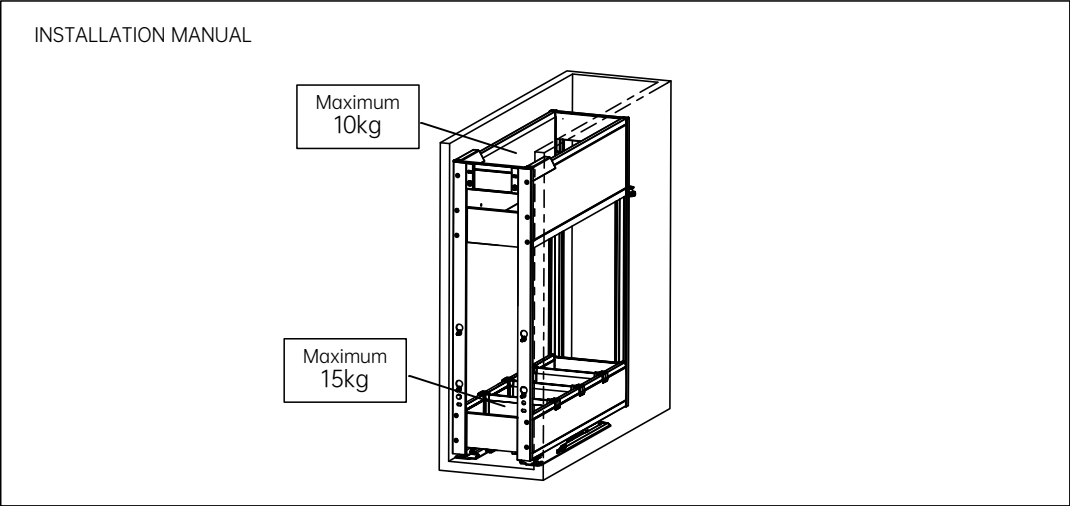


# Installation instruction01

## ● Preview



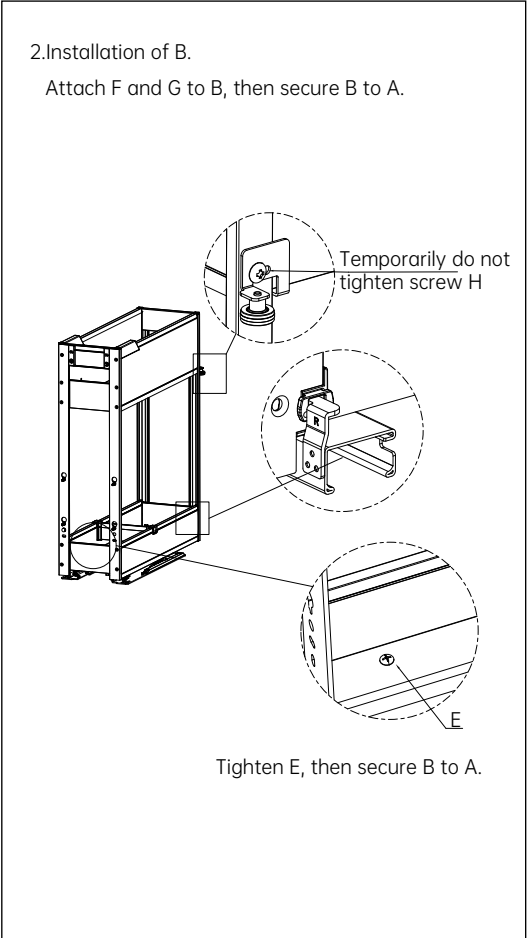
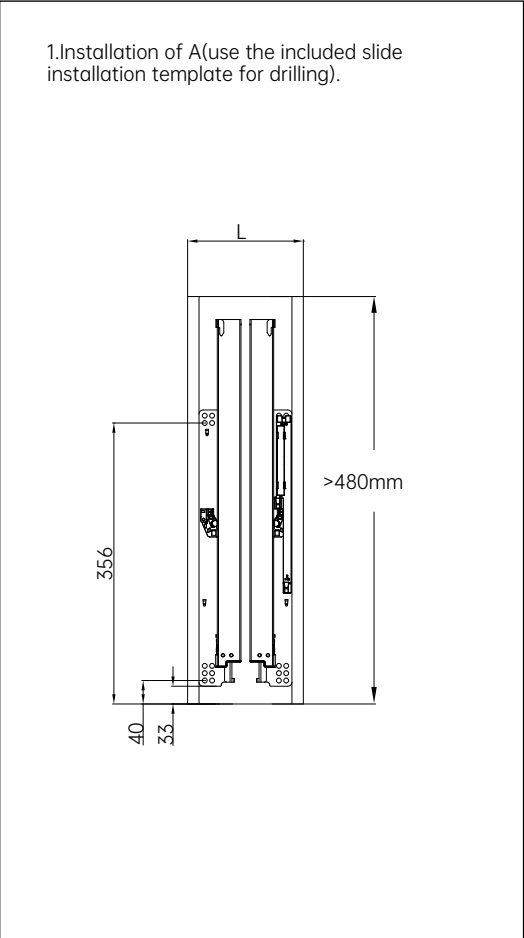
## ● Parts list

<b>A</b>	X 1SET	<b>B</b>	X 1PCS	<b>C</b>	X 8PCS	<b>D</b>	X 4PCS	<b>E</b>	X 2PCS
Slide rail		Basket		Countersunk Self-Tapping Screws		Flat Head Self-Tapping Screws		Flat Head Machine Screws	
<b>F</b>	X 1PCS	<b>G</b>	X 1PCS	<b>H</b>	X 2PCS	<b>I</b>	X 3PCS	<b>J</b>	X 2PCS
Left Pulley		Right Pulley		Flat Head Machine Screws		Divider		Flat Head Self-Tapping Screws	

## ● Product Specifications and Applicable Cabinet Width

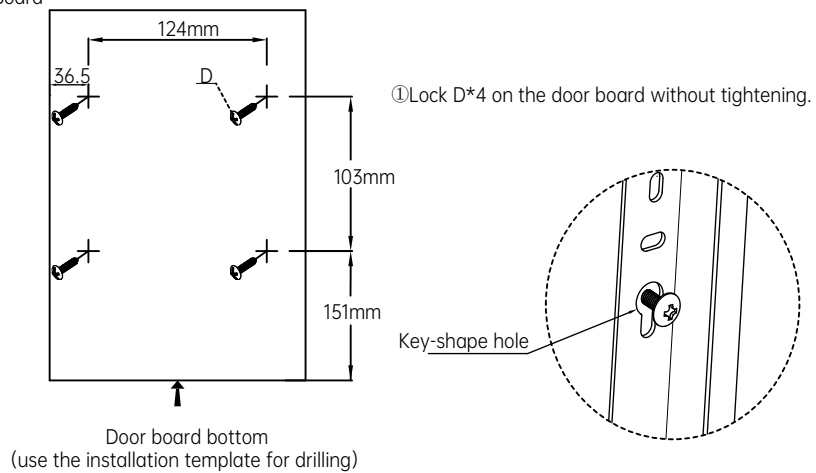
specification W×D×H mm	Z applicative cabinet width mm (L)
164×552×471	200

## ● Installation instructions



# Installation instruction02

## 3.Install The Door Board



②Then align the door board with the 4 keyholes, hang it on B, make sure the door board is on level. Insert the accessories, finished.

