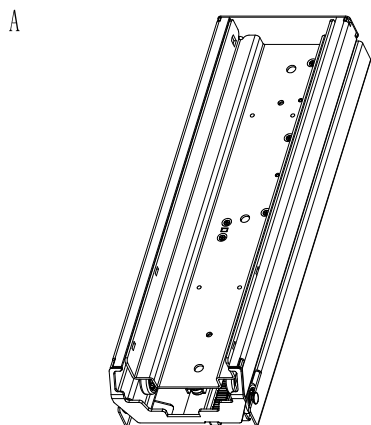
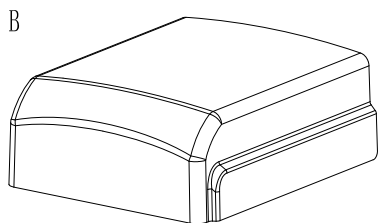


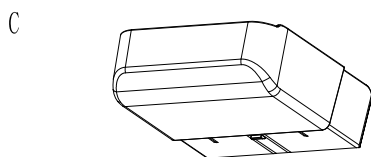
Components:



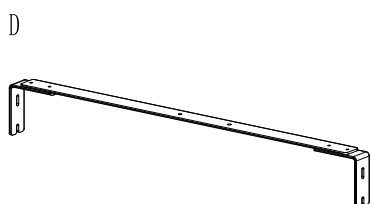
slide 1set



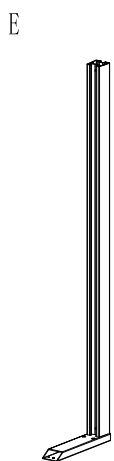
bottom plastic cover 1set



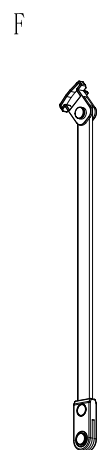
upper plastic cover 1set



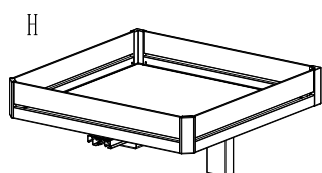
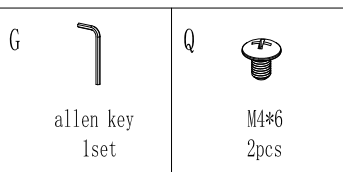
upper U shaped part 1set



pillar 1set

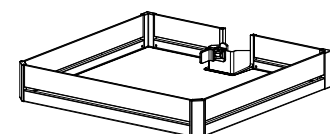


door connective part 2pcs

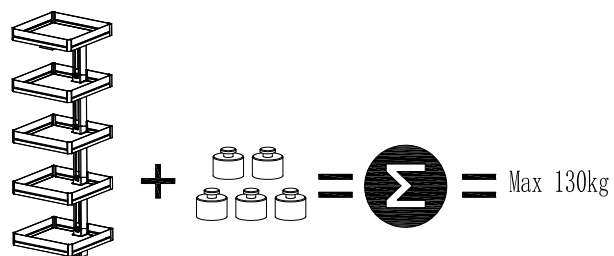
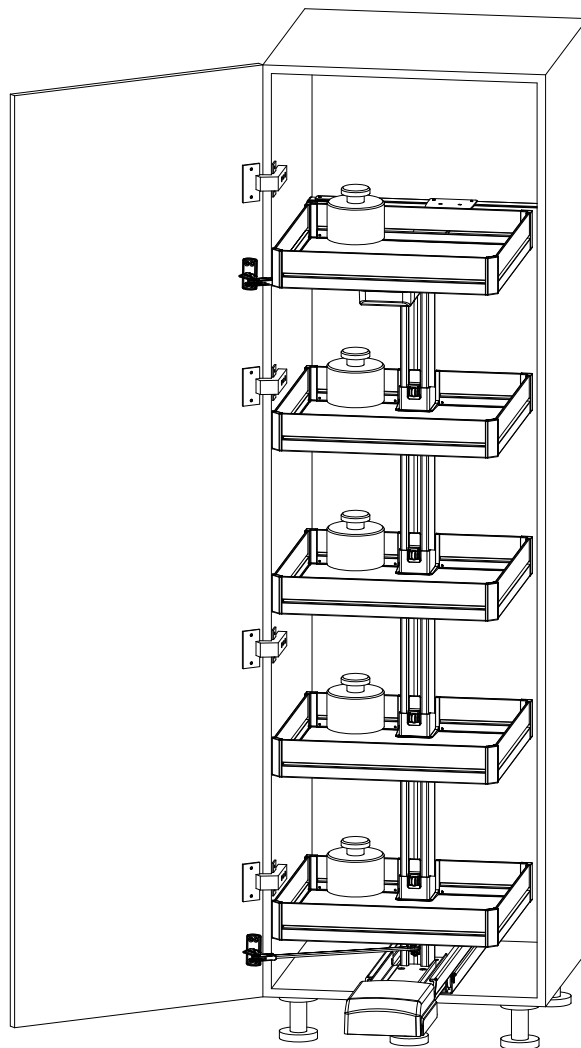
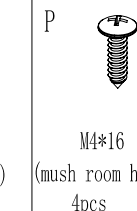
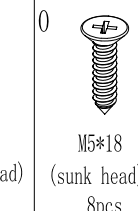
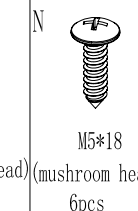
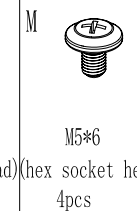
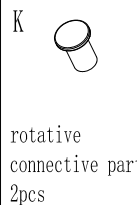
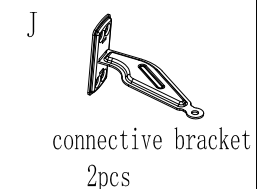


top basket with slide
(The bottom plate shall be affixed with anti-slip mat with diamond grain)
1pcs

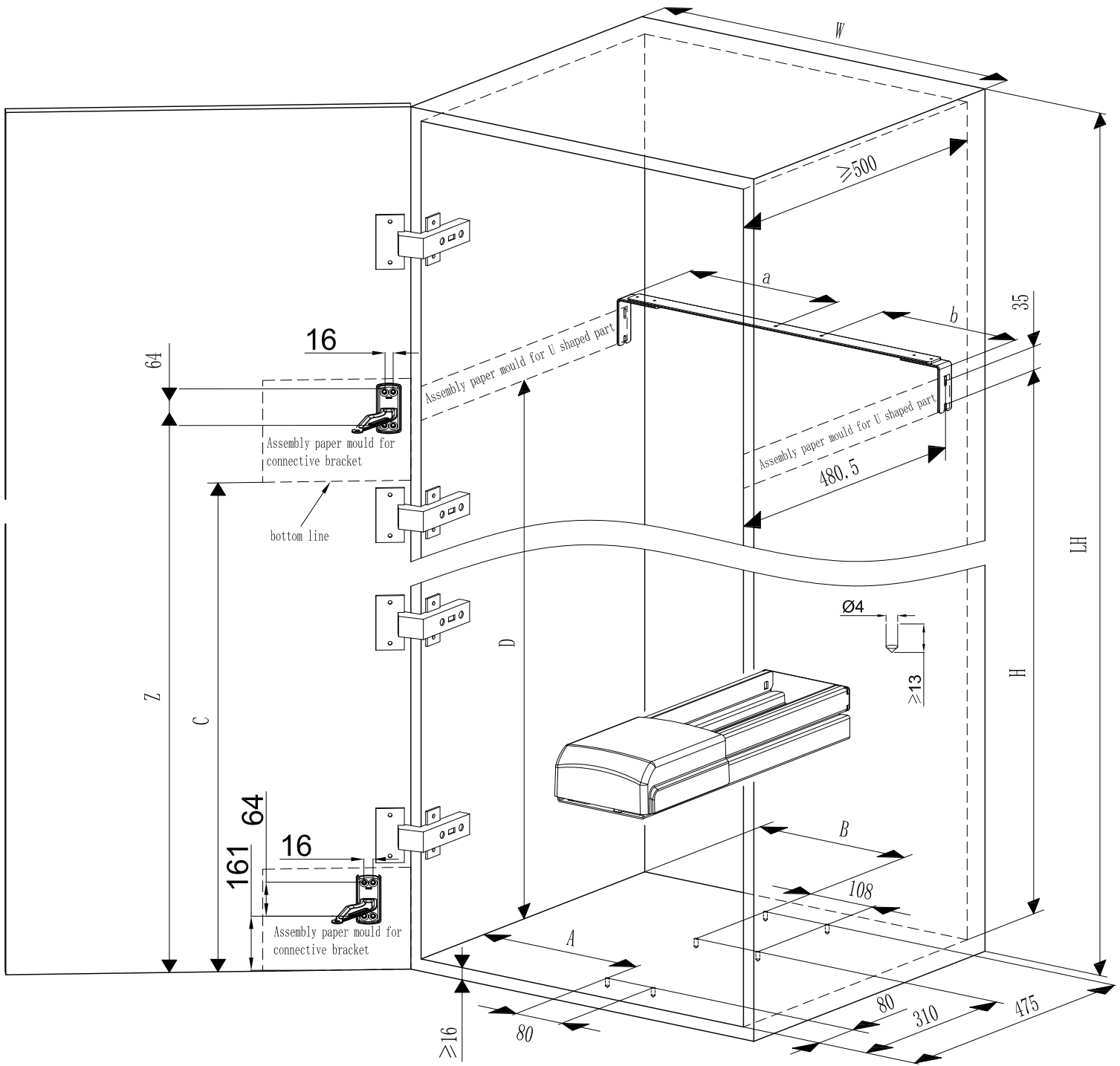
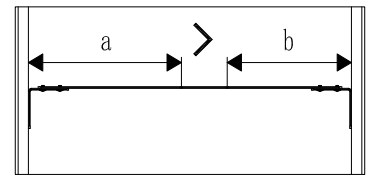
Layer Basket	QTY
4	3pcs
5	4pcs



basket (The bottom plate shall be affixed with anti-slip mat with diamond grain)

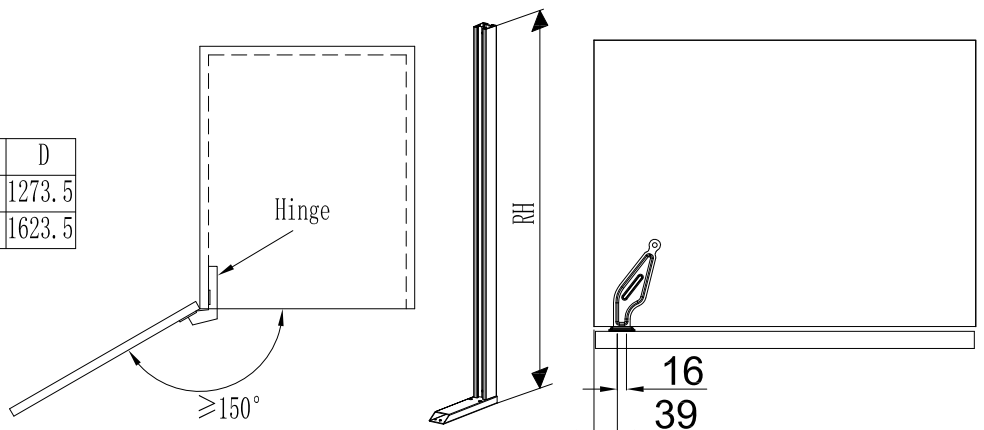


ps: unit:mm

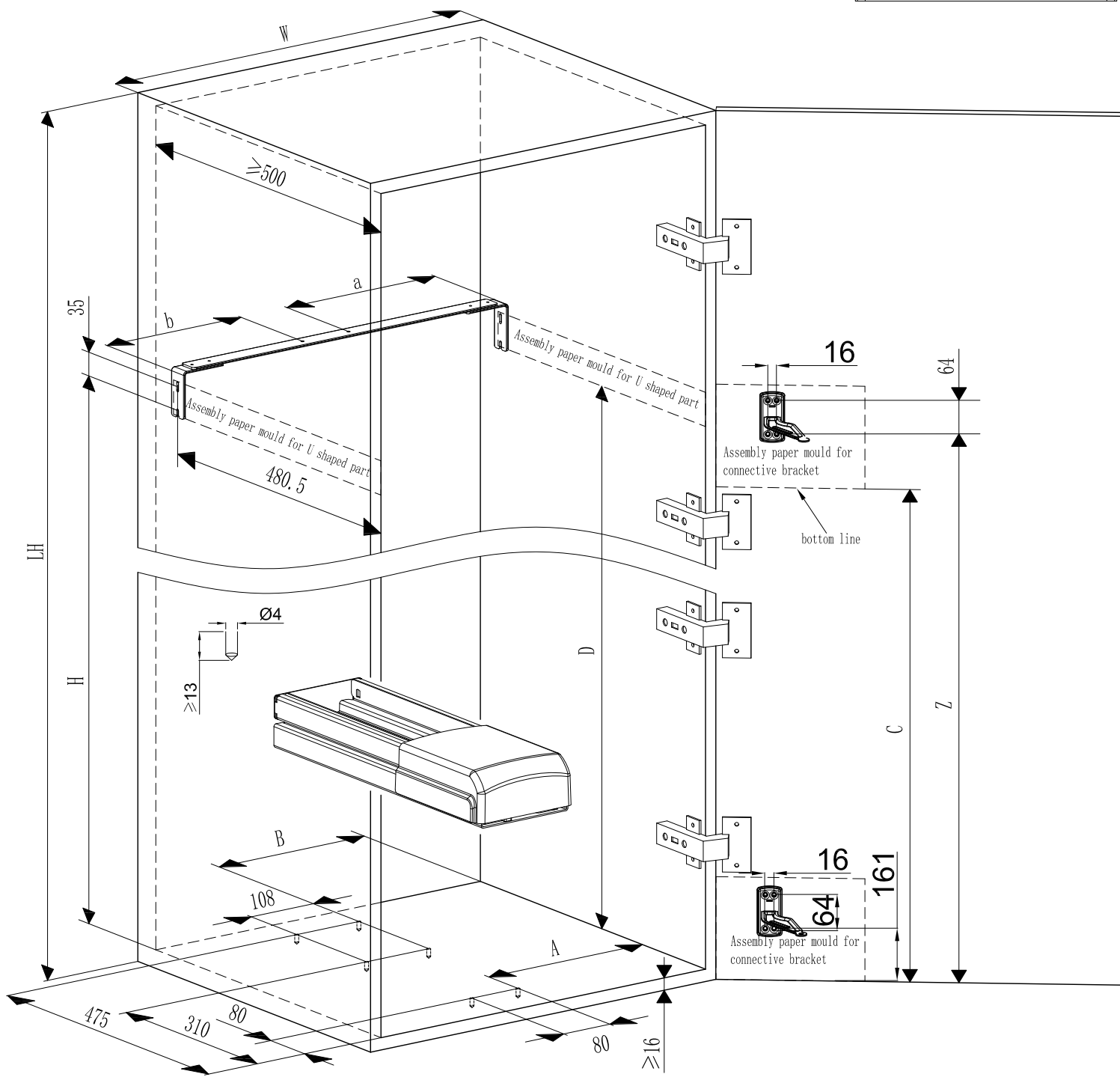
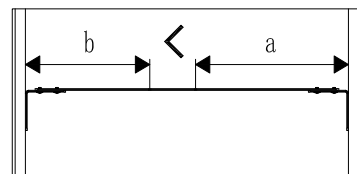


Cabinet width	A	B
450	192	178
600	267	253

layer	Cabinet height	RH	H	Z	C	D
4	≥ 1650	1280	1281	1291	1130	1273.5
5	≥ 2000	1630	1631	1641	1480	1623.5

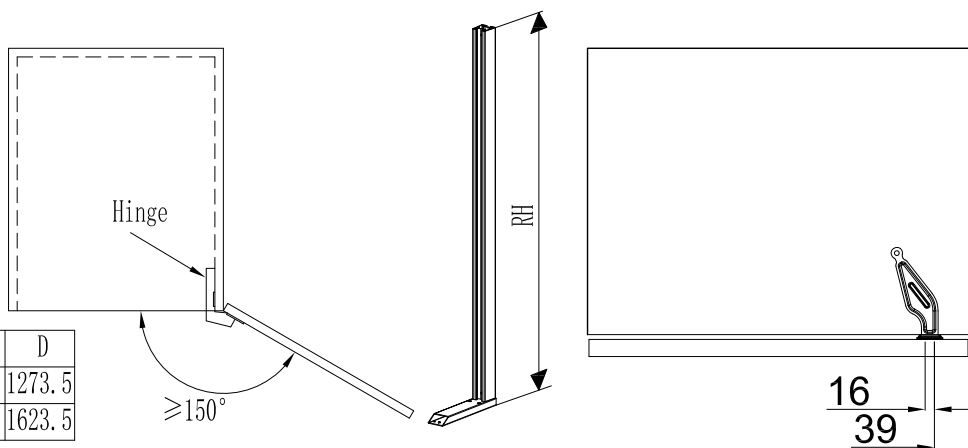


ps: unit:mm



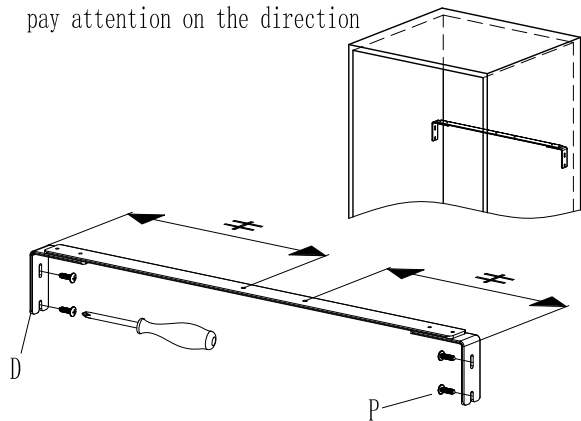
Cabinet width	A	B
450	192	178
600	267	253

layer	Cabinet height	RH	H	Z	C	D
4	≥1650	1280	1281	1291	1130	1273.5
5	≥2000	1630	1631	1641	1480	1623.5

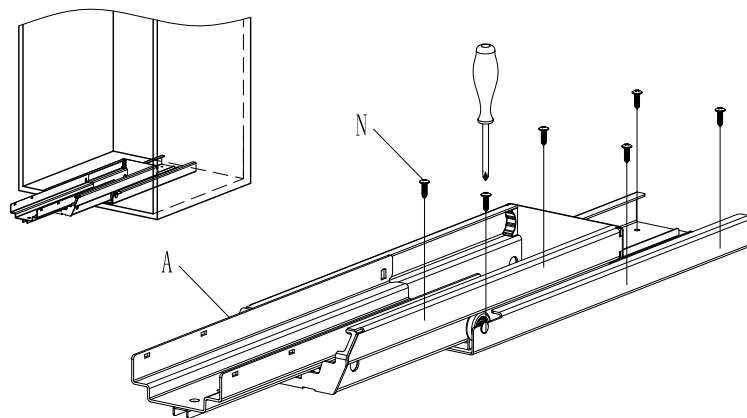


Installation steps

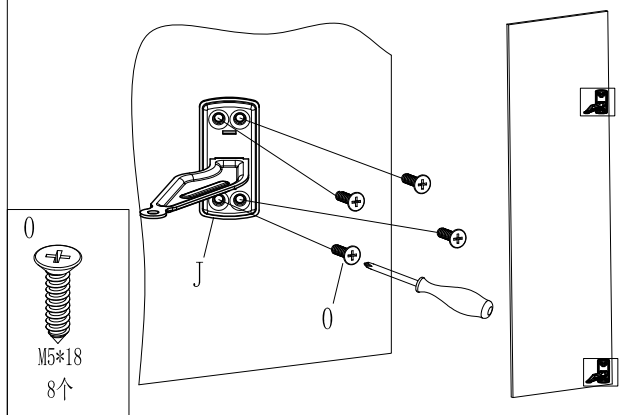
1. install U shaped part
pay attention on the direction



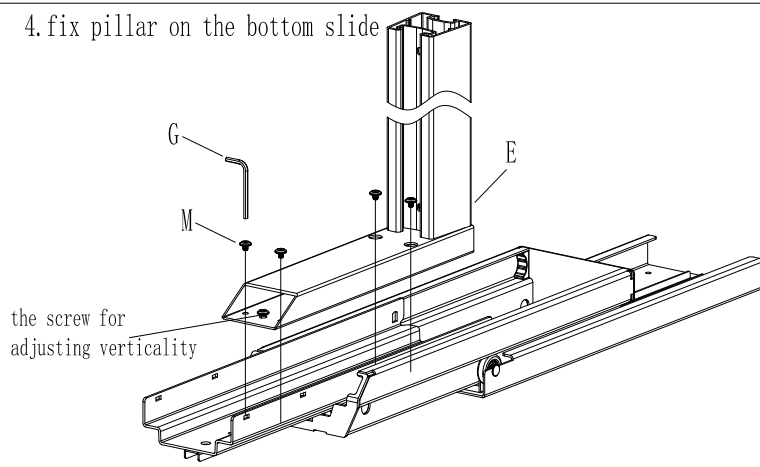
2. assemble bottom slide



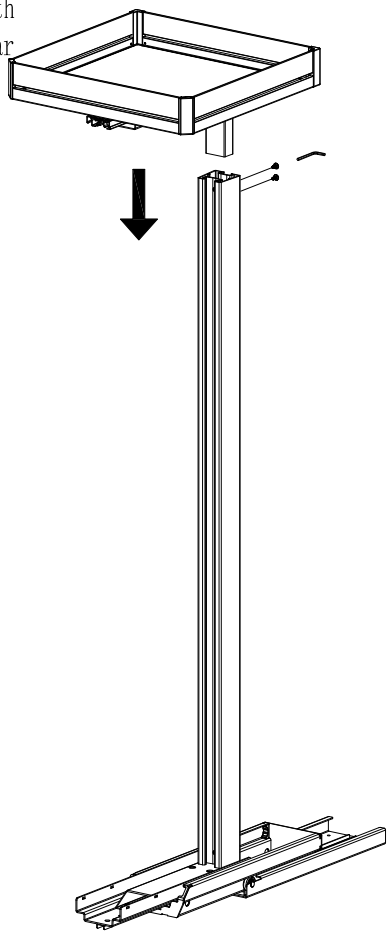
3. fix connective bracket of the door



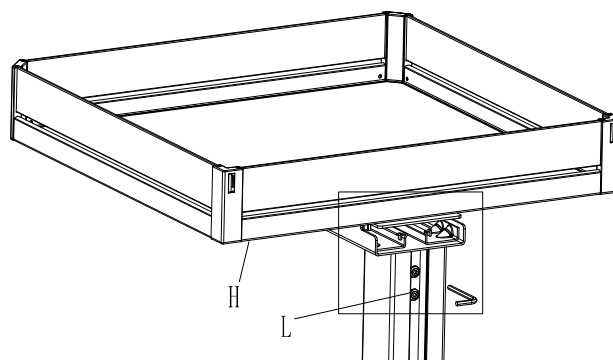
4. fix pillar on the bottom slide



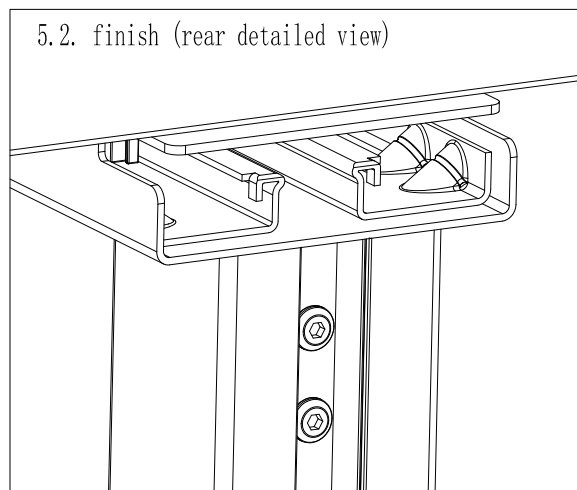
5. fix top basket with
slide onto the pillar



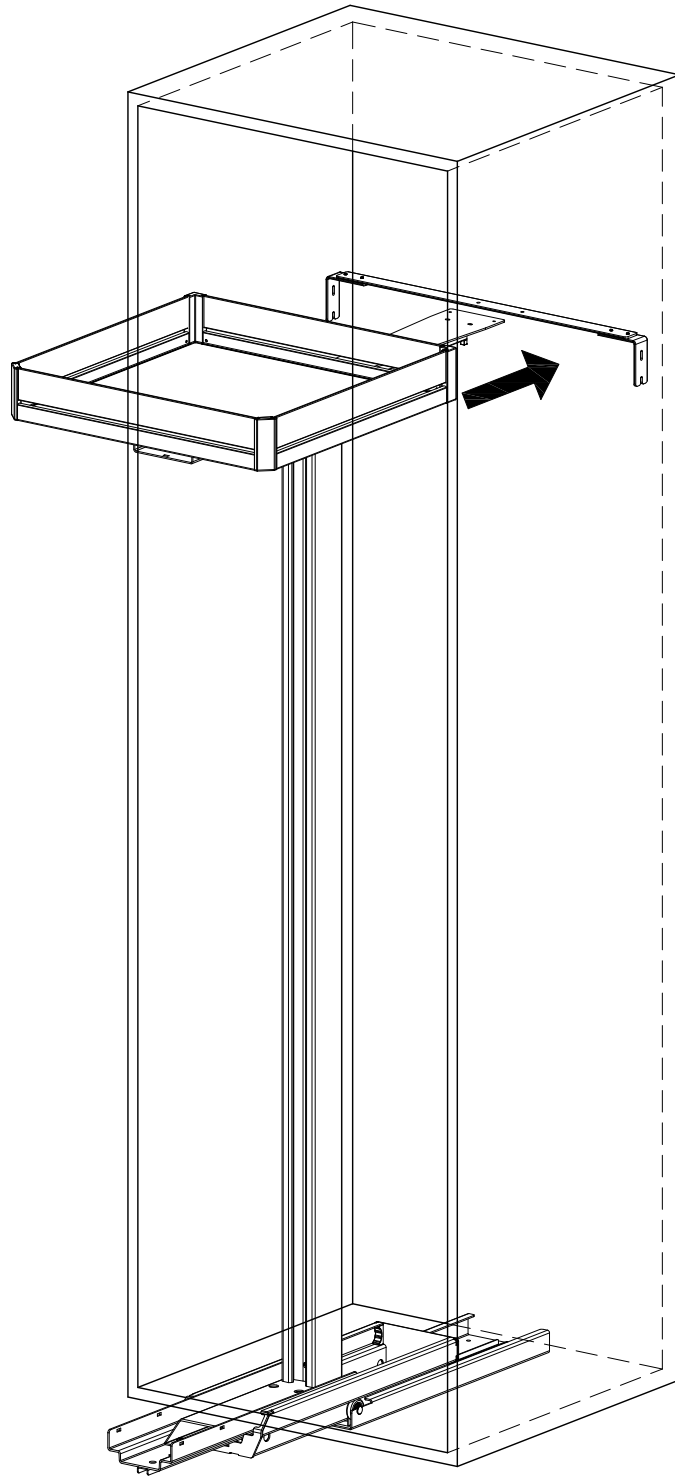
5.1. tighten up the screw L with allen key



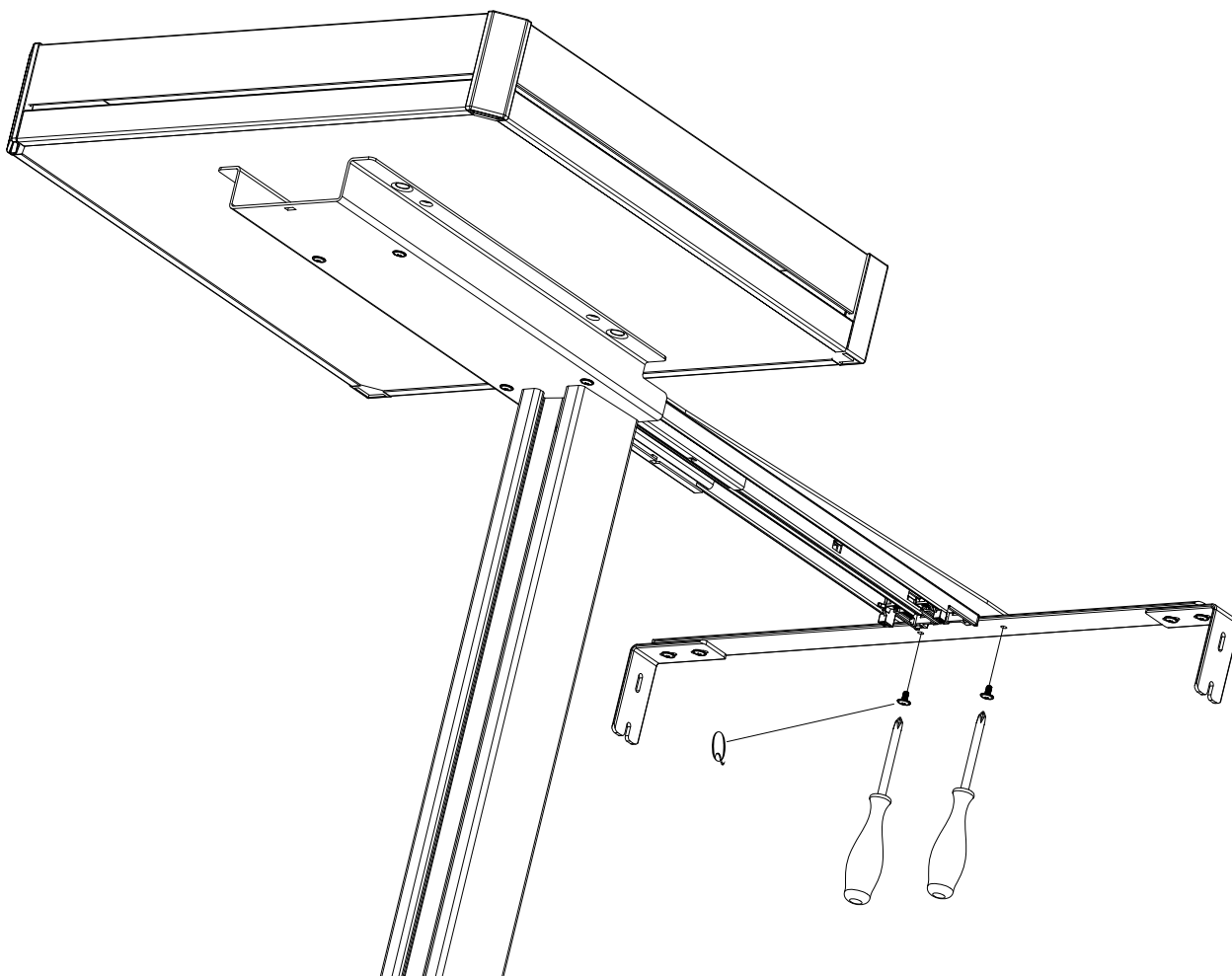
5.2. finish (rear detailed view)



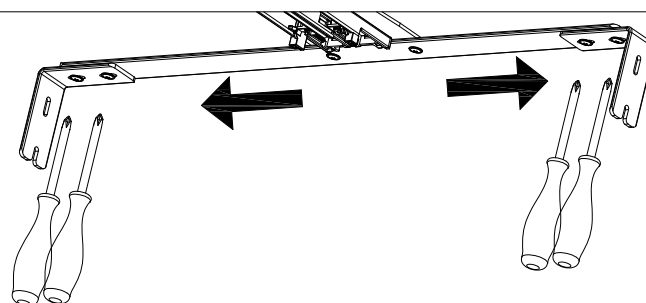
6. fix upper slide on to U shaped part



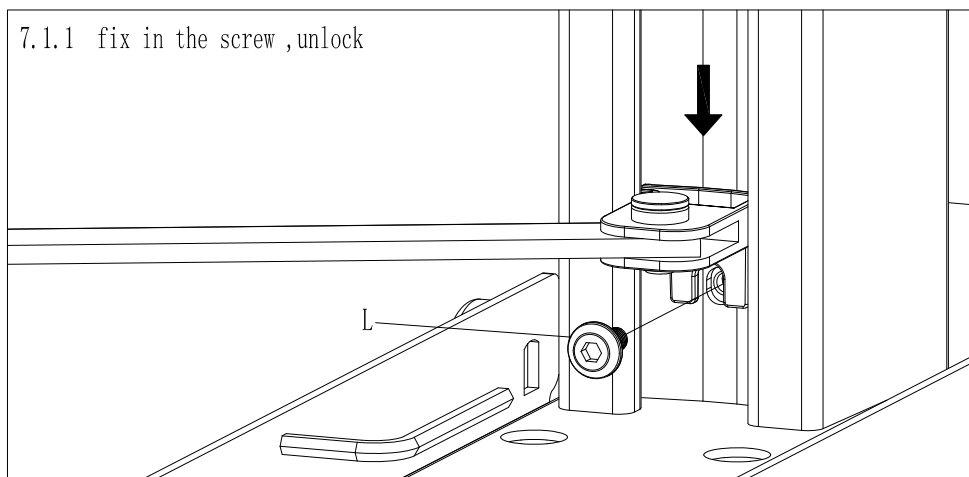
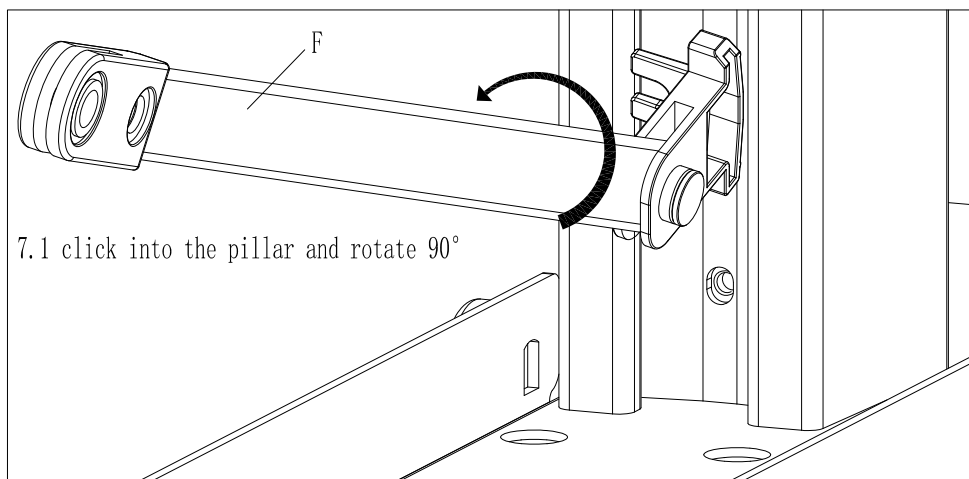
6.1 Tighten up screw Q



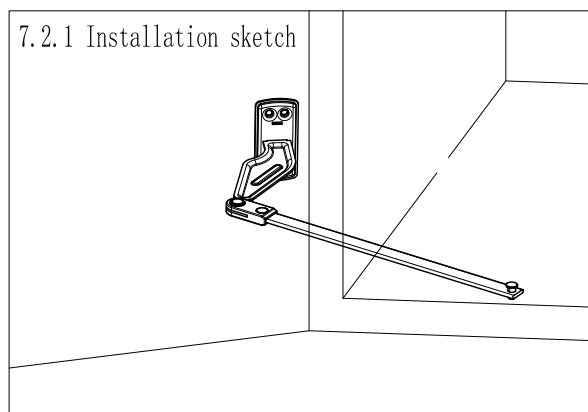
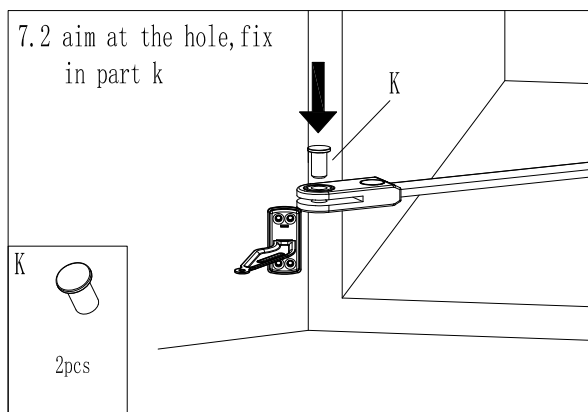
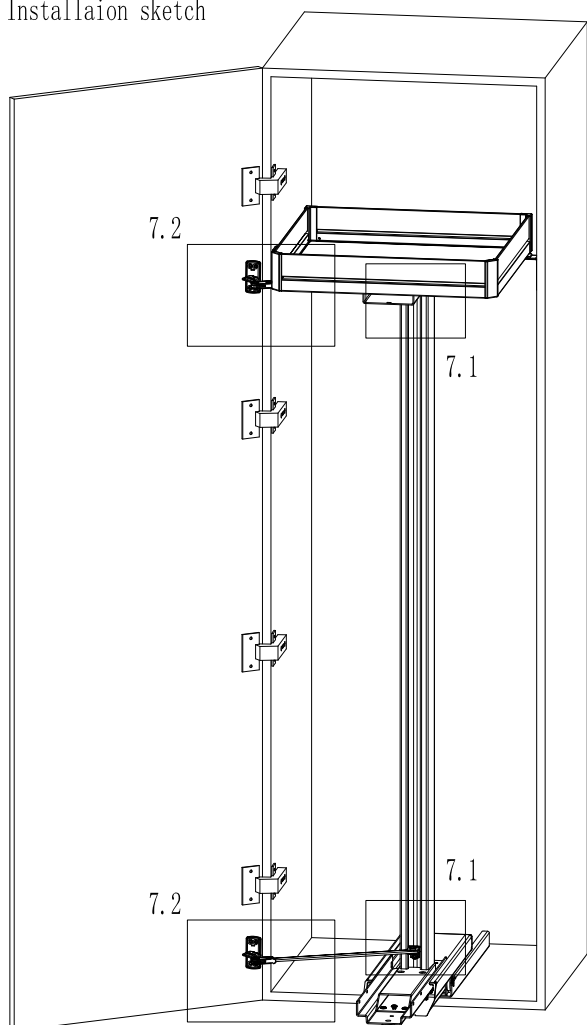
6.2. adjust horizontal position and make sure balance and tighten up all 4 screws



7. Assembly of door connective part

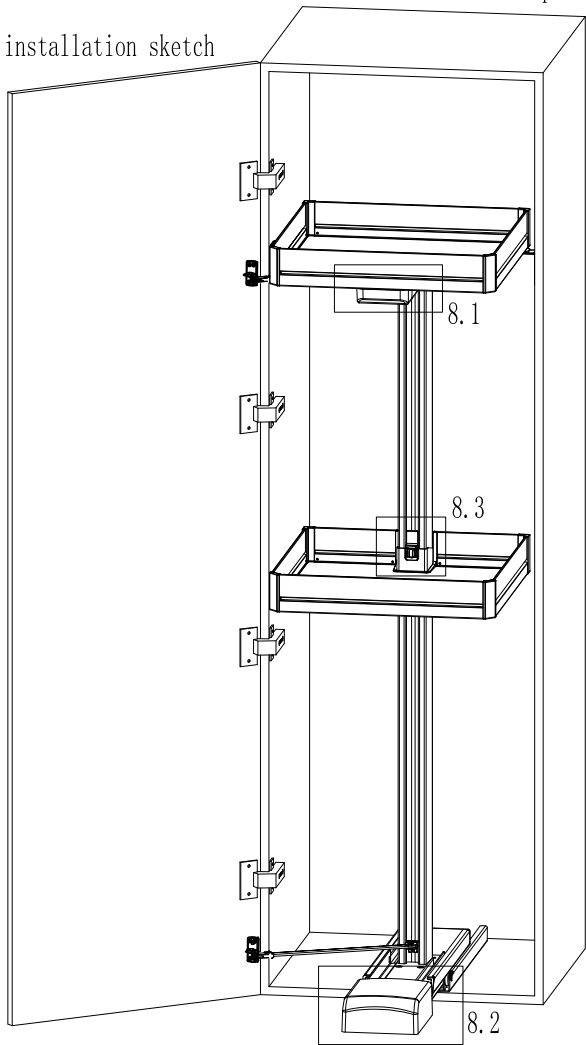


Installaion sketch

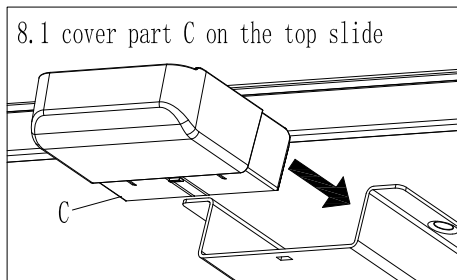


8. put on plastic cover and baskets

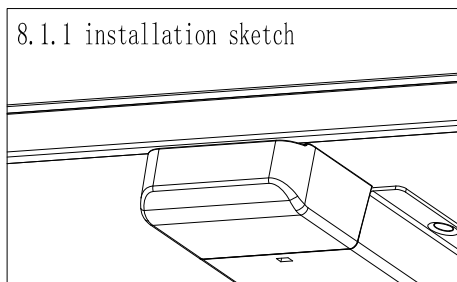
installation sketch



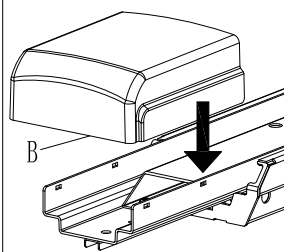
8.1 cover part C on the top slide



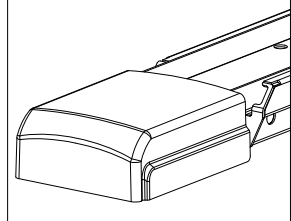
8.1.1 installation sketch



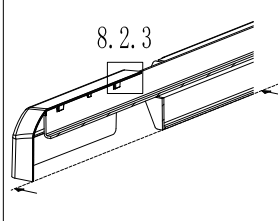
8.2 cover part B on the bottom slide



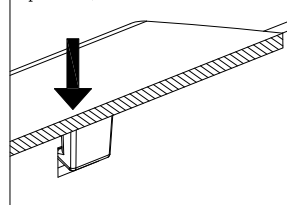
8.2.1 installation sketch



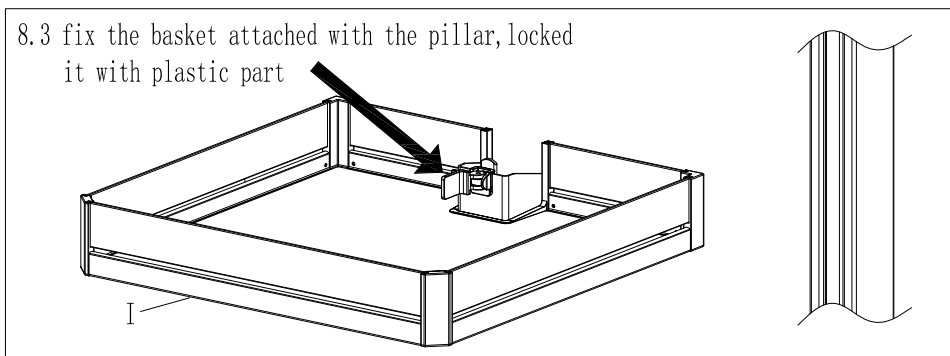
8.2.2 inside detailed view



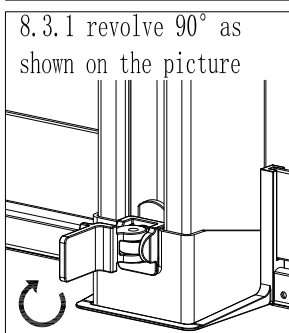
8.2.3 inside detailed view (plastic hook inside of part B)



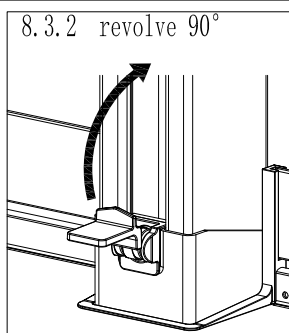
8.3 fix the basket attached with the pillar, locked it with plastic part



8.3.1 revolve 90° as shown on the picture



8.3.2 revolve 90°



8.3.3 finish

