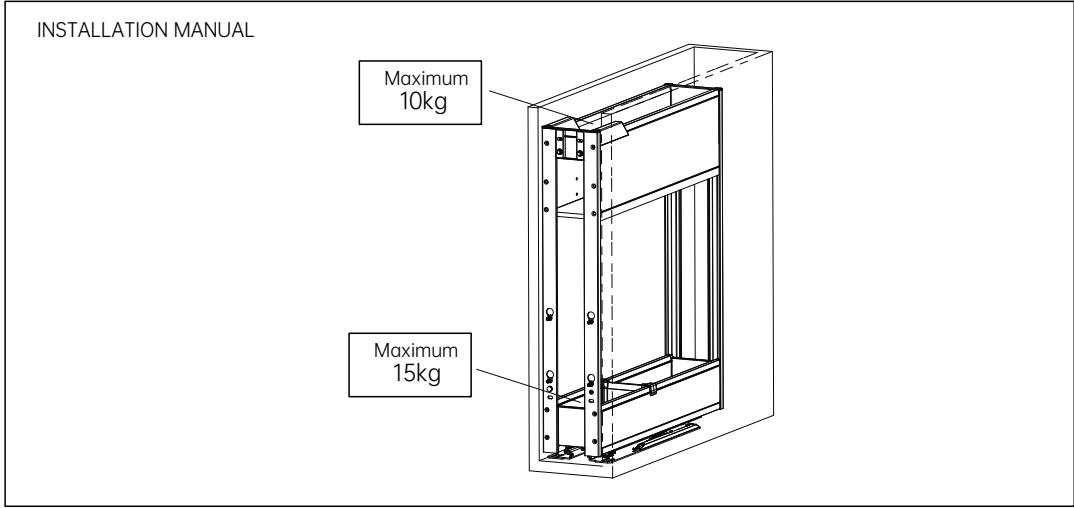


Installation instruction01

● Preview



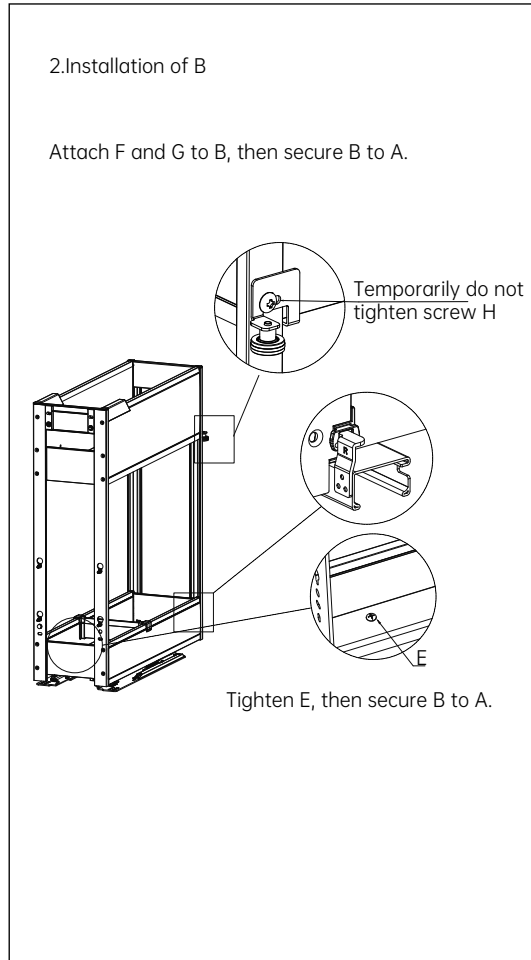
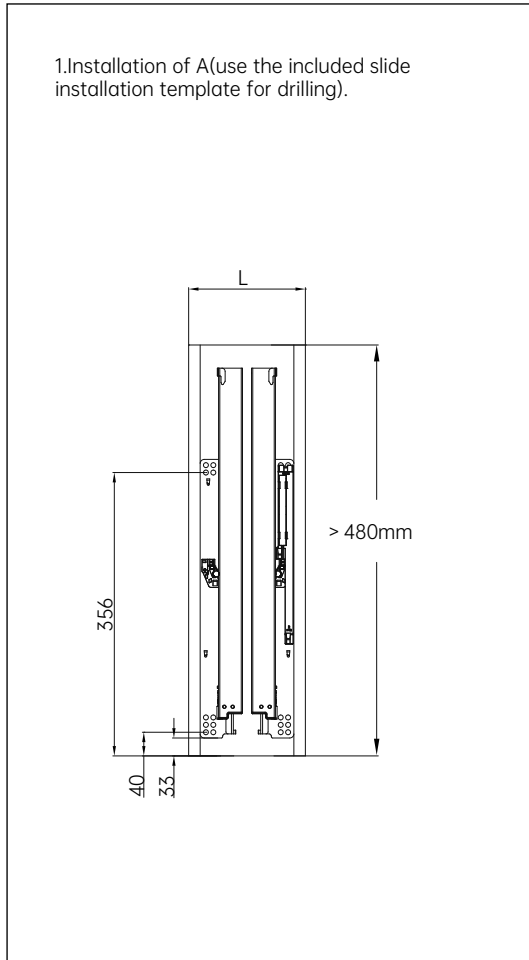
● Parts list

A	X 1SET	B	X 1PCS	C	X 8PCS	D	X 4PCS	E	X 2PCS
Slide rail		Basket		Countersunk Self-Tapping Screws		Flat Head Self-Tapping Screws		Flat Head Machine Screws	
F	X 1PCS	G	X 1PCS	H	X 2PCS	I	X 3PCS	J	X 2PCS
Left Pulley		Right Pulley		Flat Head Machine Screws		Divider		Flat Head Self-Tapping Screws	

● Product Specifications and Applicable Cabinet Width

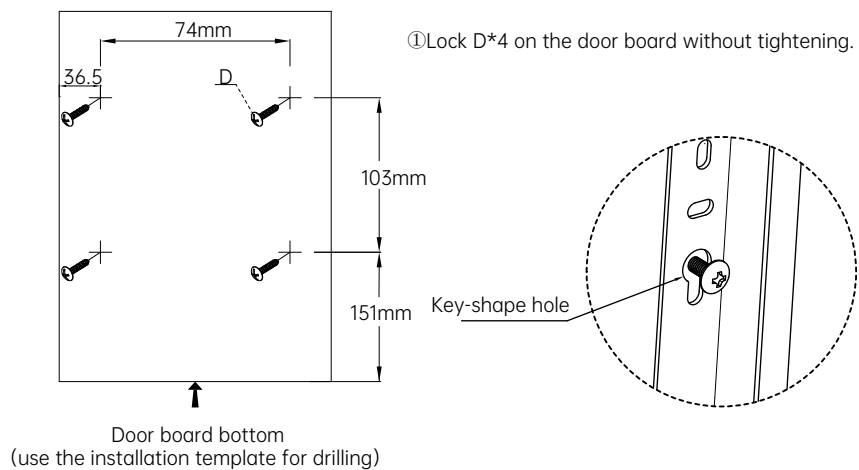
specification W×D×H mm	Z applicative cabinet width mm (L)
114×552×471	150

● Installation instructions



Installation instruction02

3.Install The Door Board



② Then align the door board with the 4 keyholes, hang it on B, make sure the door board is on level. Insert the accessories, finished.

