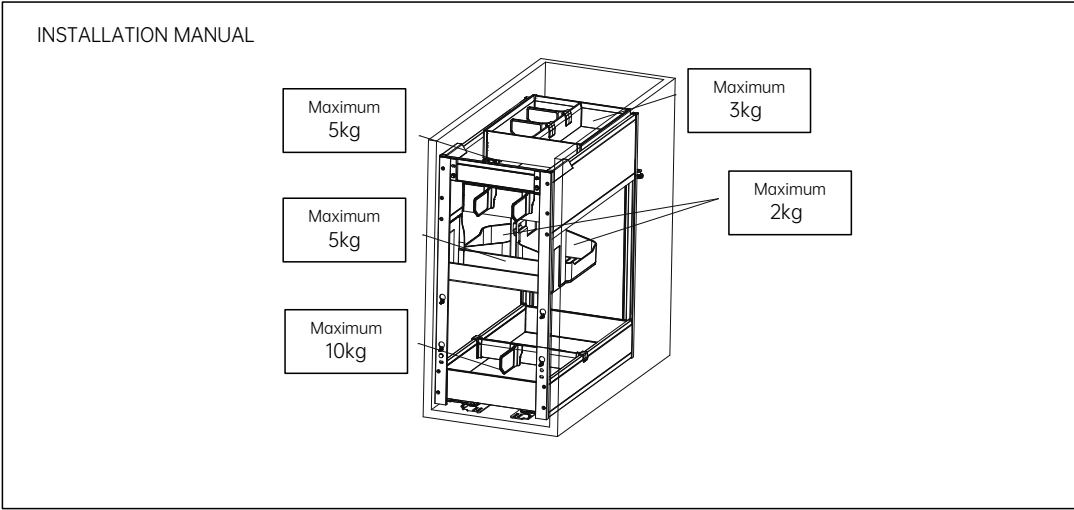





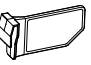






Installation instruction01

● Preview



● Parts list

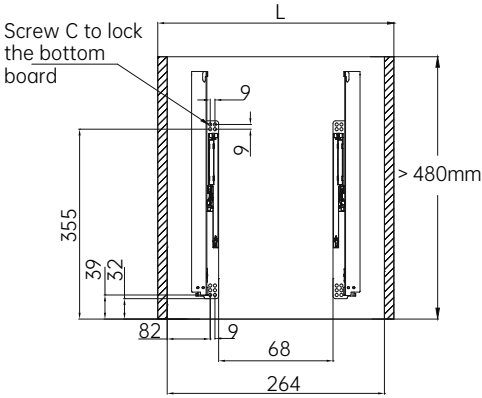
A X 1SET  Slide rail	B X 1PCS  Basket	C X 8PCS  M4X16 Countersunk Self-Tapping Screws	D X 4PCS  M4X16 Flat Head Self-Tapping Screws	E X 2PCS  Bumper Guard
F X 5PCS  Left Pulley	G X 1PCS  Left Pulley	H X 1PCS  Right Pulley	I X 2PCS  M4X4 Flat Head Machine Screws	J X 2PCS  M4X20 Flat Head Self-Tapping Screws

● Product Specifications and Applicable Cabinet Width

specification W×D×H mm	Z applicative cabinet width mm (L)
264×552×471	300

● Installation instructions

1.Installation of A(use the included slide installation template for drilling).

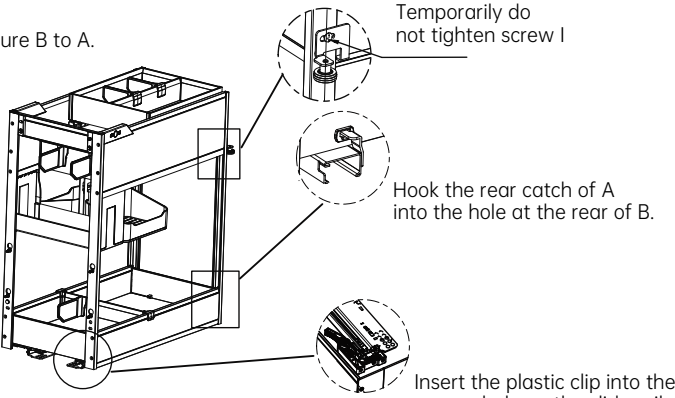


Screw C to lock the bottom board

When the cabinet interior space > 264mm, install according to this size.

2.Installation of B

Attach F and G to B, then secure B to A.



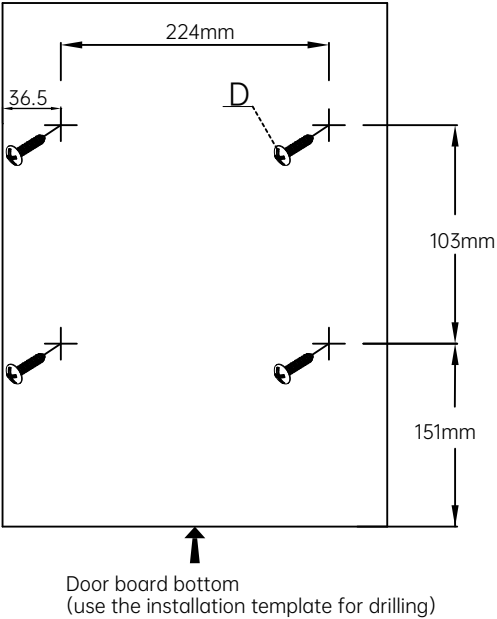
Temporarily do not tighten screw I

Hook the rear catch of A into the hole at the rear of B.

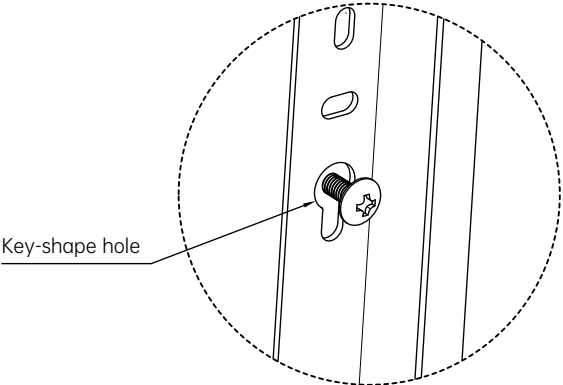
Insert the plastic clip into the square hole on the slide rail.

Installation instruction02

3.Install The Door Board



Lock D*4 on the door board without tightening.



② Then align the door board with the 4 keyholes, hang it on B, make sure the door board is on level, and apply E. Insert the accessories, finished.

