

# Installation instruction01

## ● Preview

INSTALLATION MANUAL

Maximum 5kg

Maximum 3kg

Maximum 5kg

Maximum 2kg

Maximum 10kg

## ● Parts list

<b>A</b>	X 1SET	<b>B</b>	X 1PCS	<b>C</b>	X 8PCS	<b>D</b>	X 4PCS	<b>E</b>	X 2PCS
Slide rail		Basket		M4X16 Countersunk Self-Tapping Screws		M4X16 Flat Head Self-Tapping Screws		Bumper Guard	
<b>F</b>	X 6PCS	<b>G</b>	X 1PCS	<b>H</b>	X 1PCS	<b>I</b>	X 2PCS	<b>J</b>	X 2PCS
Divider		Left Pulley		Right Pulley		M4X4 Flat Head Machine Screws		M4X20 Flat Head Self-Tapping Screws	

## ● Product Specifications and Applicable Cabinet Width

specification W×D×H mm	Z applicative cabinet width mm (L)
314×552×471	350

## ● Installation instructions

1.Installation of A(use the included slide installation template for drilling).

Screw C to lock the bottom board

355.5

39

32

82

9

9

118

314

L

> 480mm

When the cabinet interior space > 314mm, install according to this size.

2.Installation of B  
Attach F and G to B, then secure B to A.

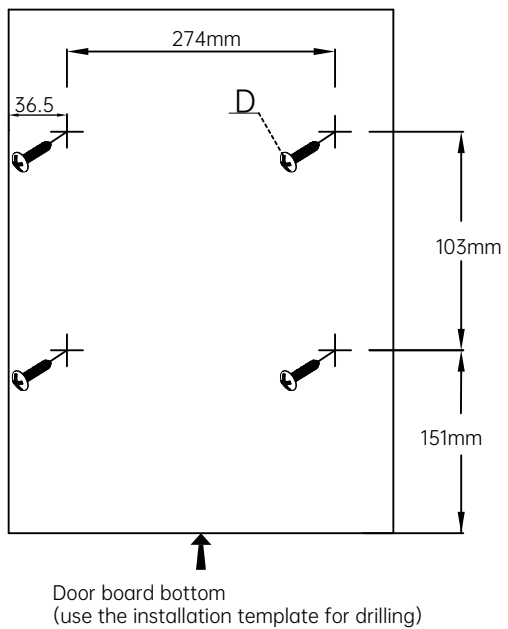
Temporarily do not tighten screw I

Hook the rear catch of A into the hole at the rear of B.

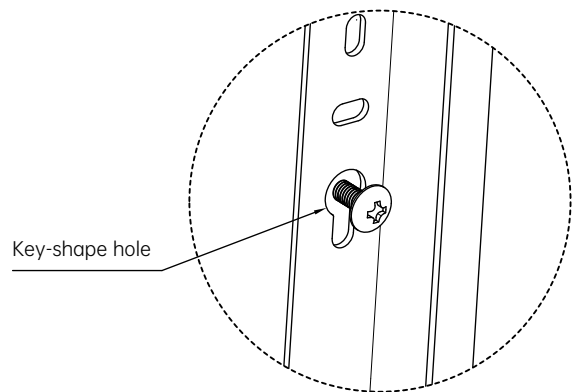
Insert the plastic clip into the square hole on the slide rail.

# Installation instruction02

## 3.Install The Door Board



Lock D\*4 on the door board without tightening.



② Then align the door board with the 4 keyholes, hang it on B, make sure the door board is on level, and apply E. Insert the accessories, finished.

