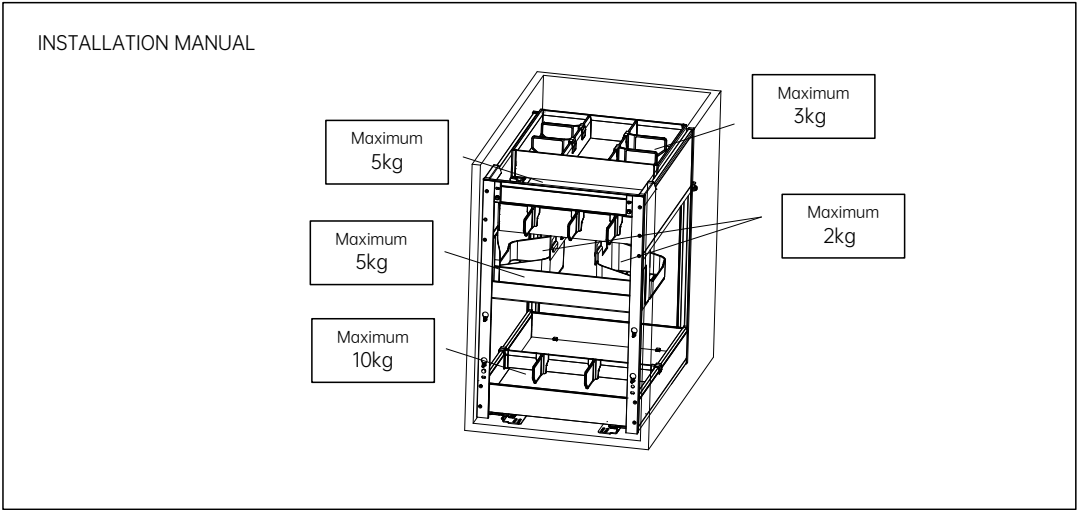


Installation instruction01

● Preview



● Parts list

<p>A X 1SET</p> <p>Slide rail</p>	<p>B X 1PCS</p> <p>Basket</p>	<p>C X 8PCS</p> <p>M4X16 Countersunk Self-Tapping Screws</p>	<p>D X 4PCS</p> <p>M4X16 Flat Head Self-Tapping Screws</p>
<p>E X 2PCS</p> <p>Bumper Guard</p>	<p>F X 9PCS</p> <p>Divider</p>	<p>G X 2PCS</p> <p>M4X20 Flat Head Self-Tapping Screws</p>	

● Product Specifications and Applicable Cabinet Width

specification W×D×H mm	Z applicative cabinet width mm (L)
364×552×471	400

● Installation instructions

1. Installation of A (use the included slide installation template for drilling).

Screw C to lock the bottom board

大于480mm

When the cabinet interior space > 364mm, install according to this size.

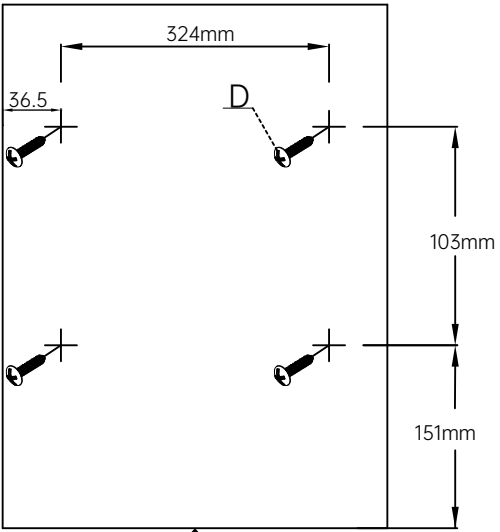
2. Installation of B
Attach F and G to B, then secure B to A.

Hook the rear catch of A into the hole at the rear of B.

Insert the plastic clip into the square hole on the slide rail.

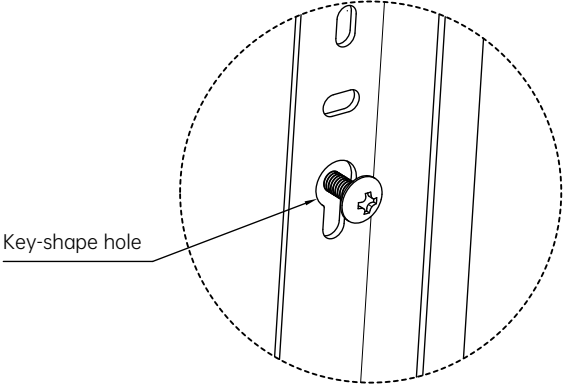
Installation instruction02

3.Install The Door Board



Door board bottom
(use the installation template for drilling)

Lock D*4 on the door board without tightening.



② Then align the door board with the 4 keyholes, hang it on B, make sure the door board is on level, and apply E. Insert the accessories, finished.

