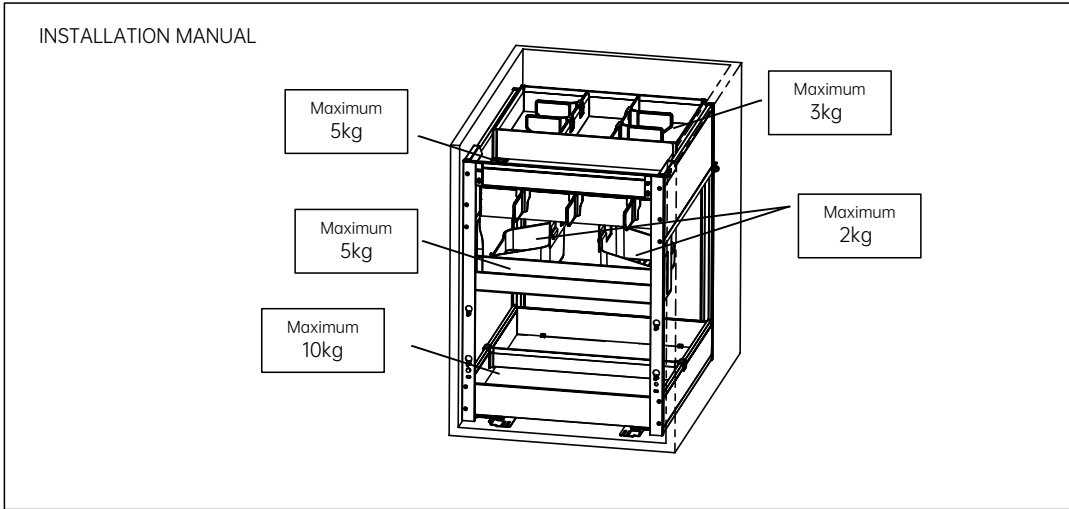
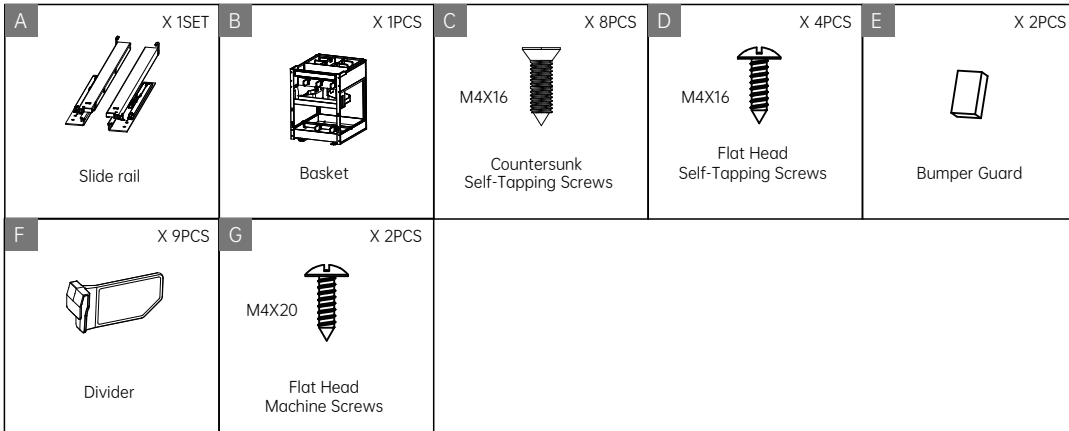


Installation instruction01

● Preview



● Parts list

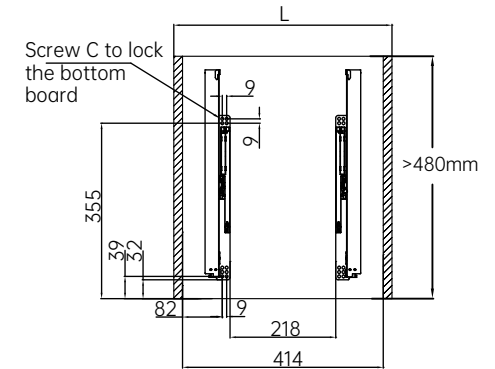


● Product Specifications and Applicable Cabinet Width

specification W×D×H mm	Z applicative cabinet width mm (L)
414×552×471	450

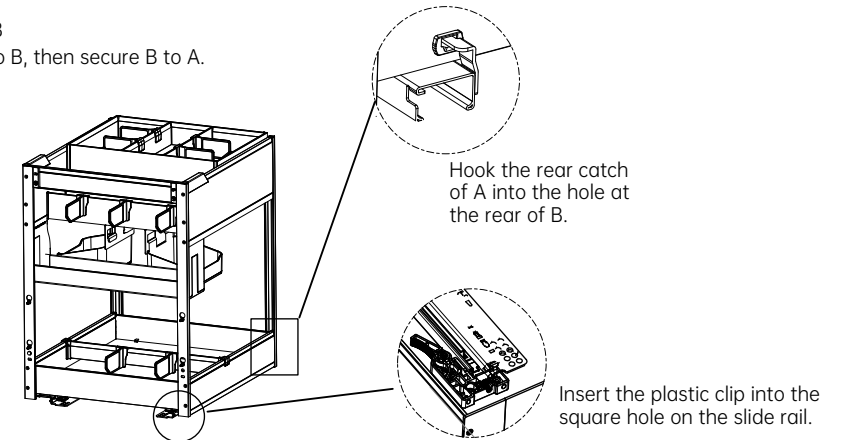
● Installation instructions

1.Installation of A(use the included slide installation template for drilling).



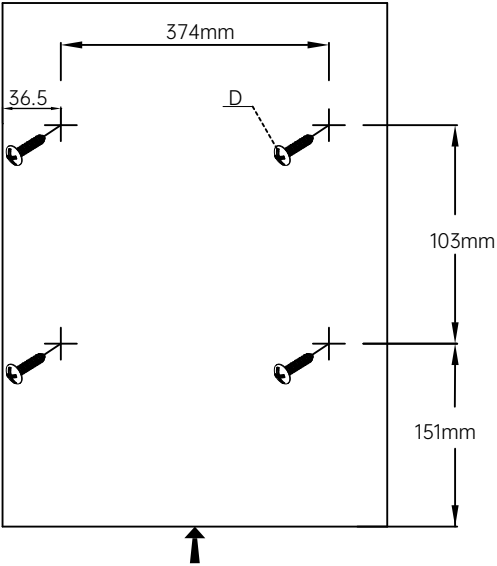
(inner width > 414, follow above size)

2.Installation of B
Attach F and G to B, then secure B to A.



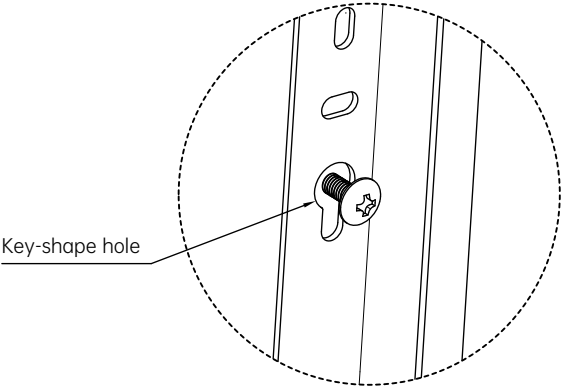
Installation instruction02

3.Install The Door Board



Door board bottom
(use the installation template for drilling)

Lock D*4 on the door board without tightening.



② Then align the door board with the 4 keyholes, hang it on B, make sure the door board is on level, and apply E. Insert the accessories, finished.

