

Assembly Instruction

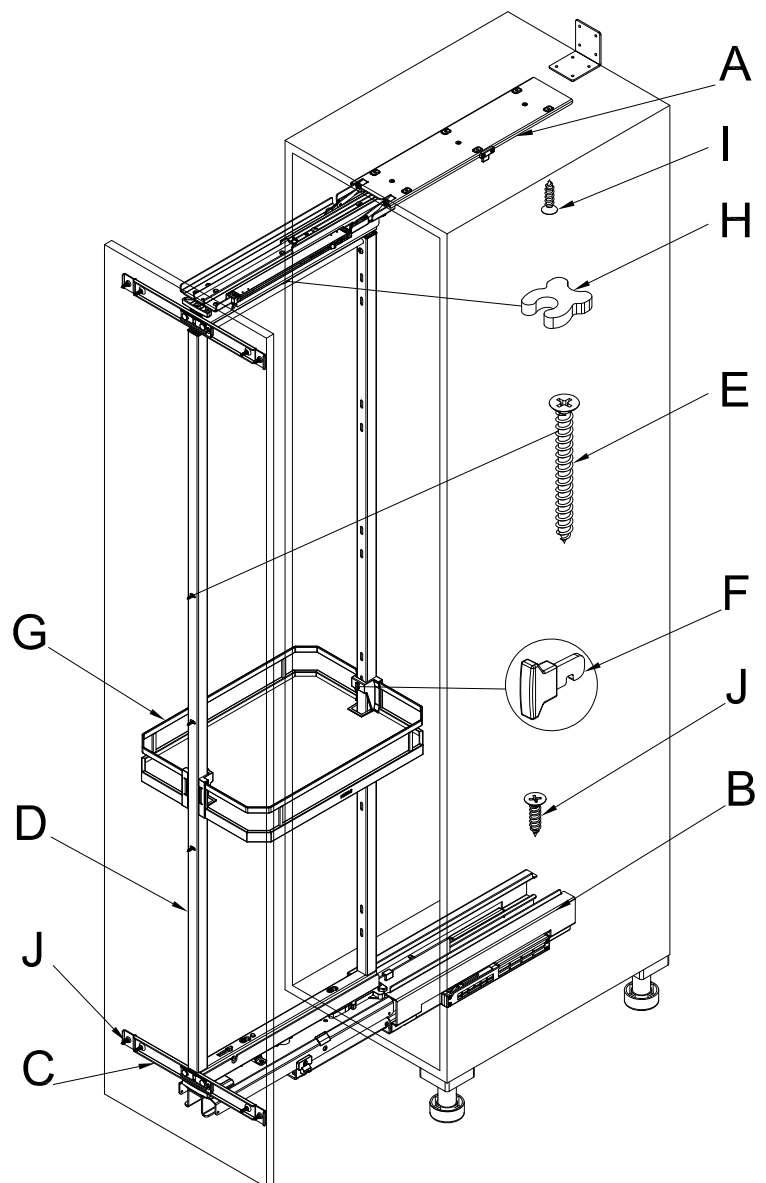
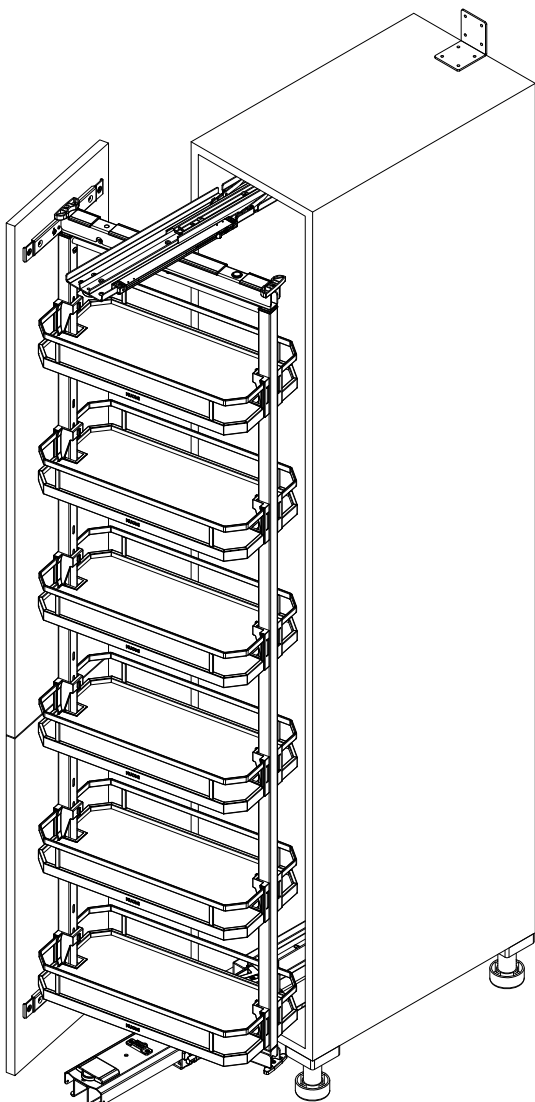
Product Detail

Applicative Width	Specification w*d*h(mm)	Tier
300	240*480*(1780-2080)	6
300	240*480*(1430-1730)	5
300	240*460*(1180-1480)	4

Applicative Width	Specification w*d*h(mm)	Tier
400	340*480*(1780-2080)	6
400	340*480*(1430-1730)	5
400	340*460*(1180-1480)	4

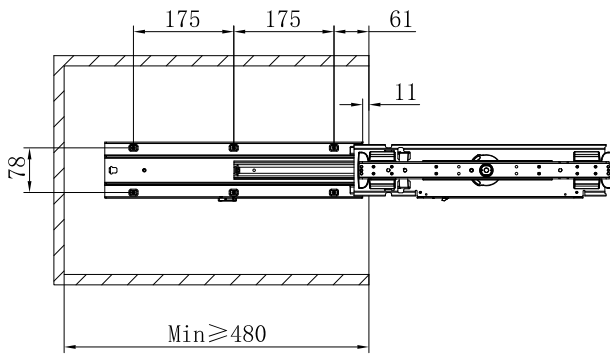
Accessory List:

- A、 top slide
- B、 bottom slide
- C、 joint parts to door sheet (2X) (there are 300 and 400 cabinets)
- D、 main frame
- E、 ST4*40 wood screw (3X)
- F、 plastic hook (four layers is 8X, five layers is 10X, six layers is 12X)
- G、 baskets (four layers is 4X, five layers is 5X, six layers is 6X) (there are 300 and 400 cabinets)
- H、 Plastic clip spring (1X)
- I、 ST4*16 wood screw (6X)
- J、 ST5*18 wood screw (13X)

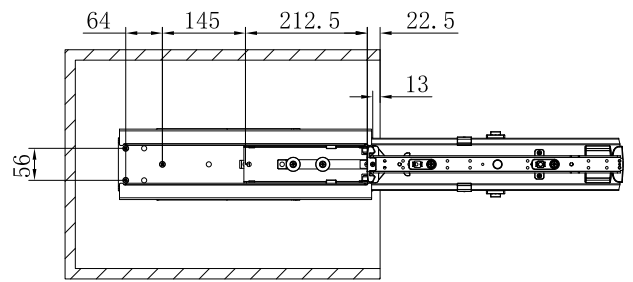


Assmby steps:

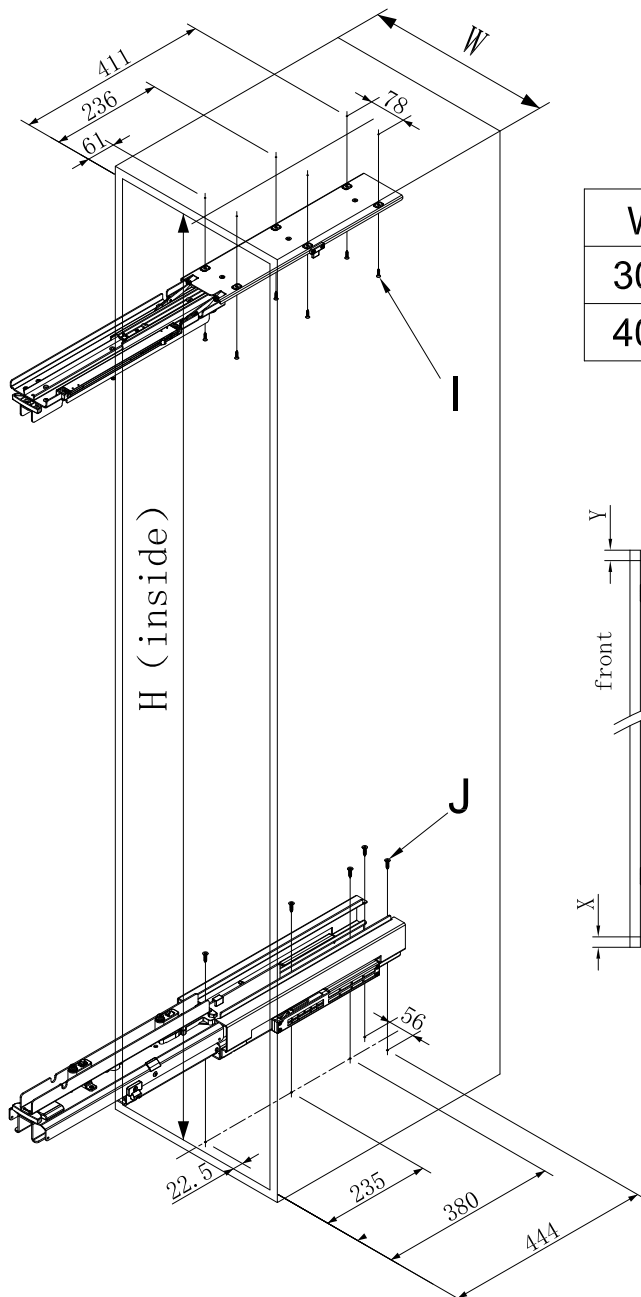
- 1、 Fix the top slide (A) by using 6pcs screw I to fix up



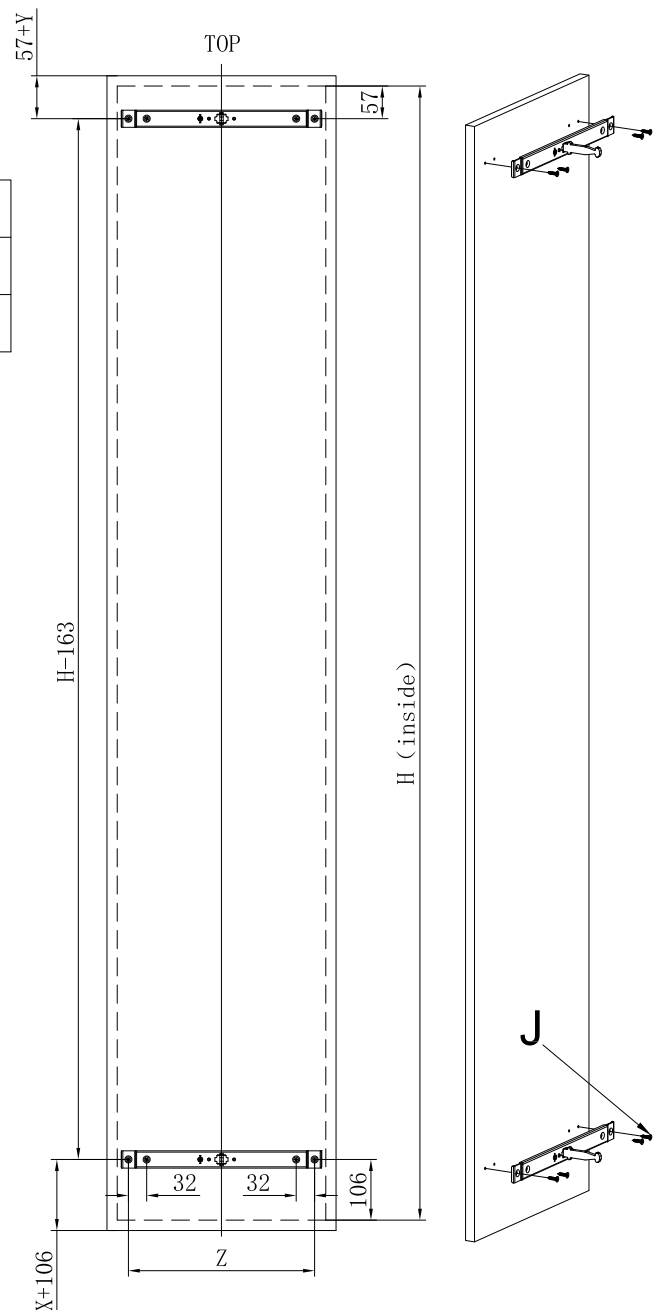
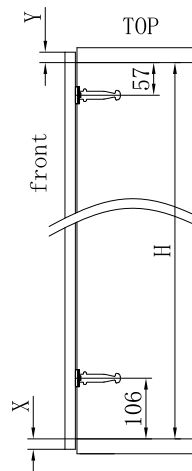
- 2、 Fix the bottom slide (B) by using 5 pcs screw J to fix up



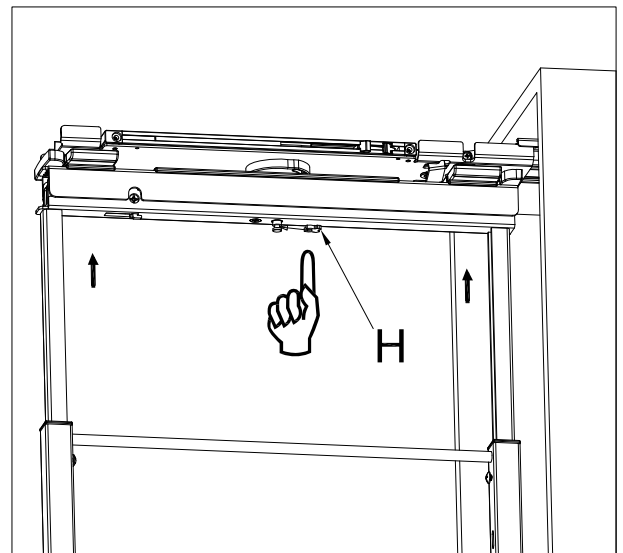
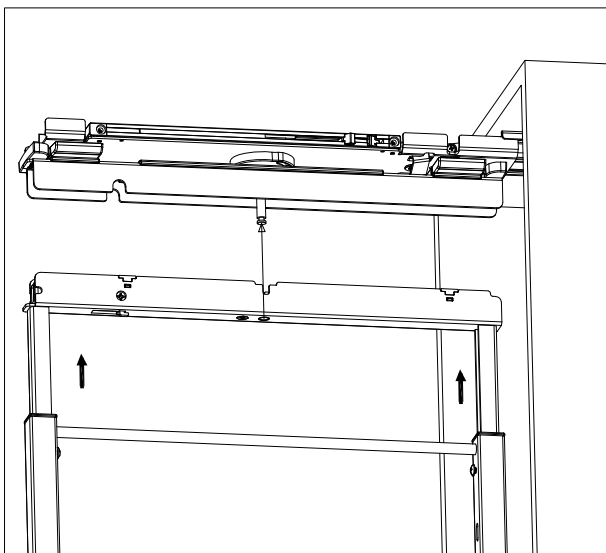
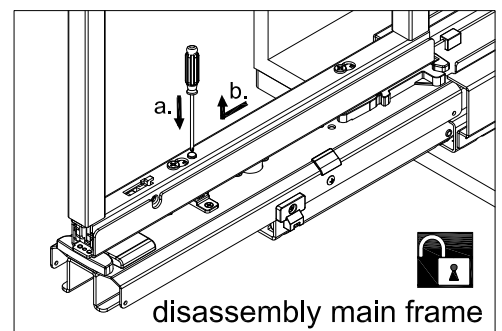
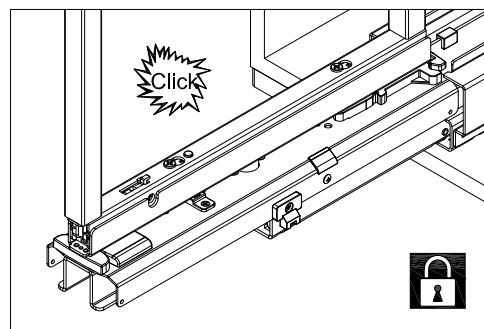
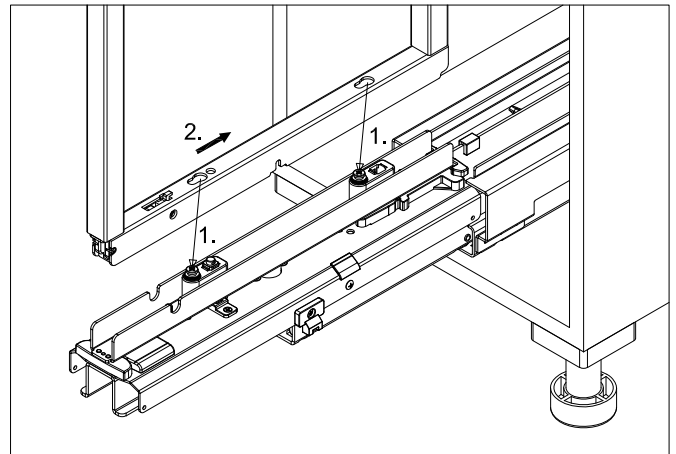
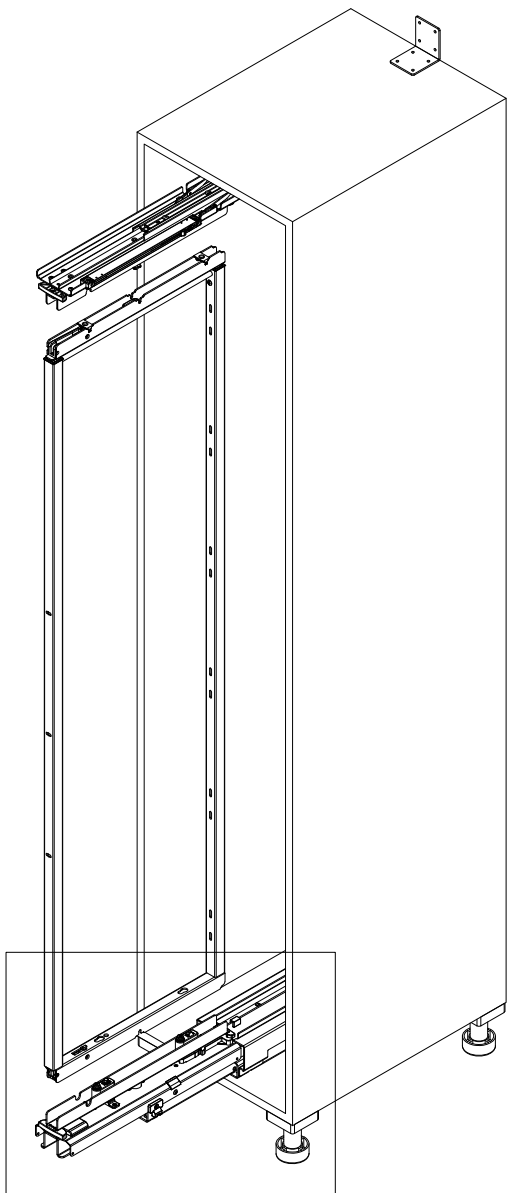
- 3、 Fix jonit parts to door sheet (C) by using 8 pcs screw J



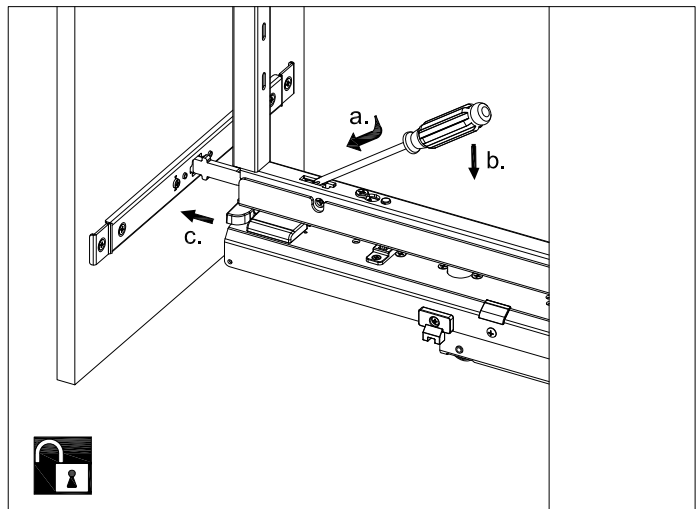
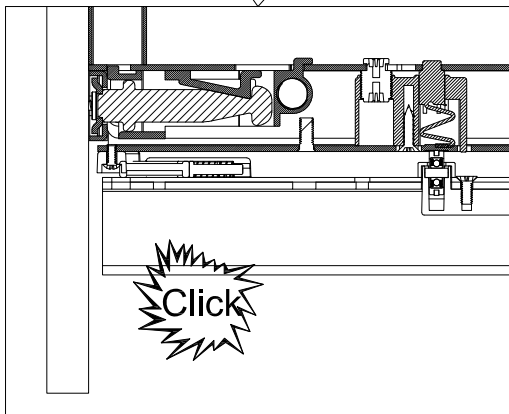
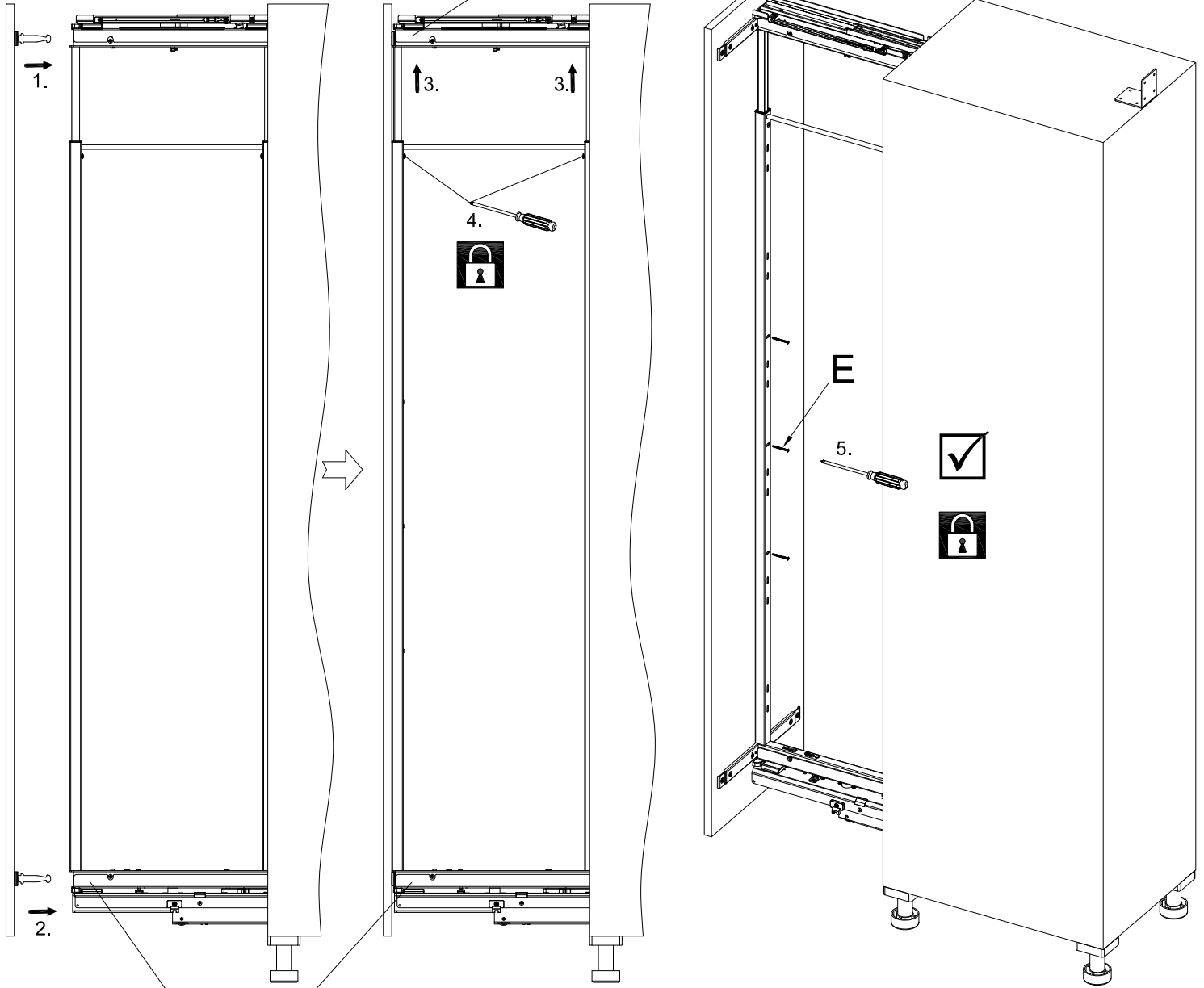
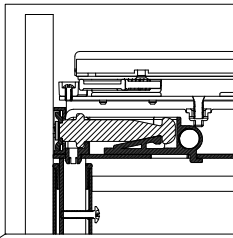
W	Z
300	225
400	325



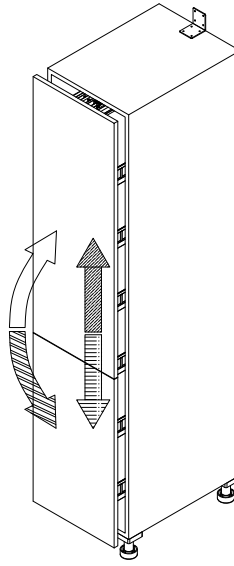
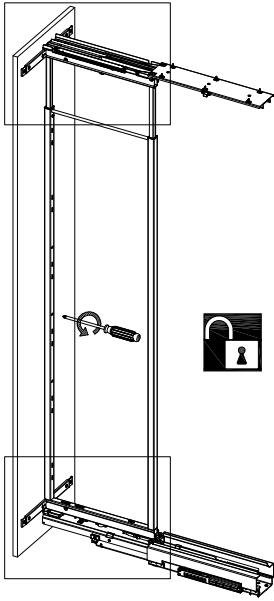
4、Fix main frame (D)



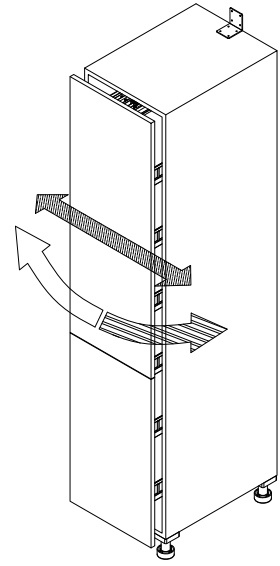
5、 Fix the joint parts to door sheet



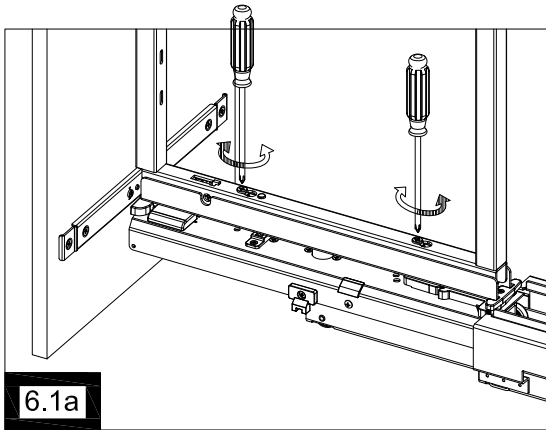
6、Adjusting the door panel



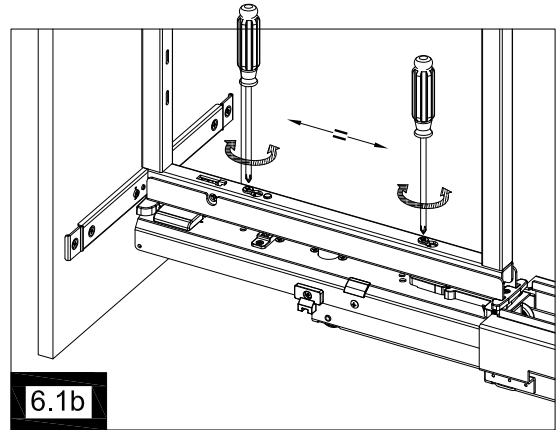
6.1



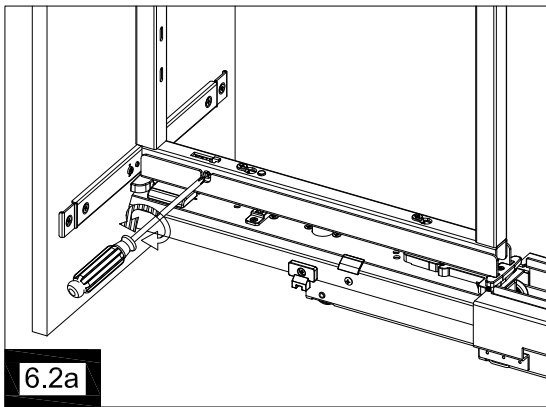
6.2



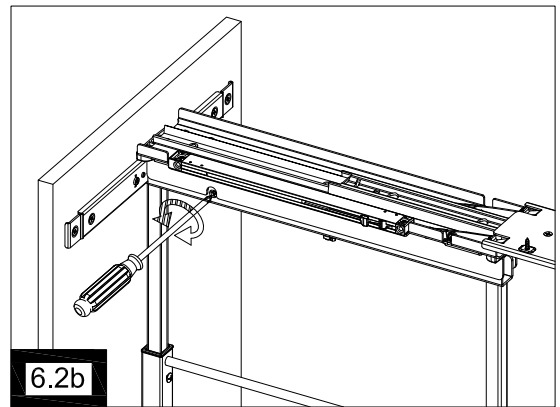
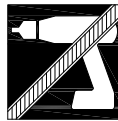
6.1a



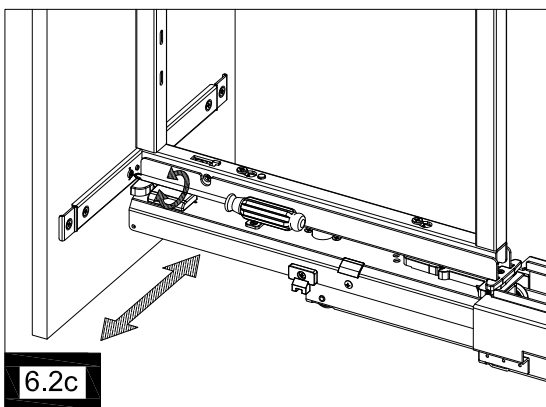
6.1b



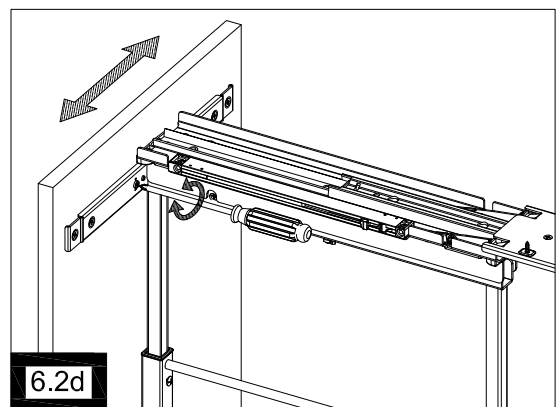
6.2a



6.2b

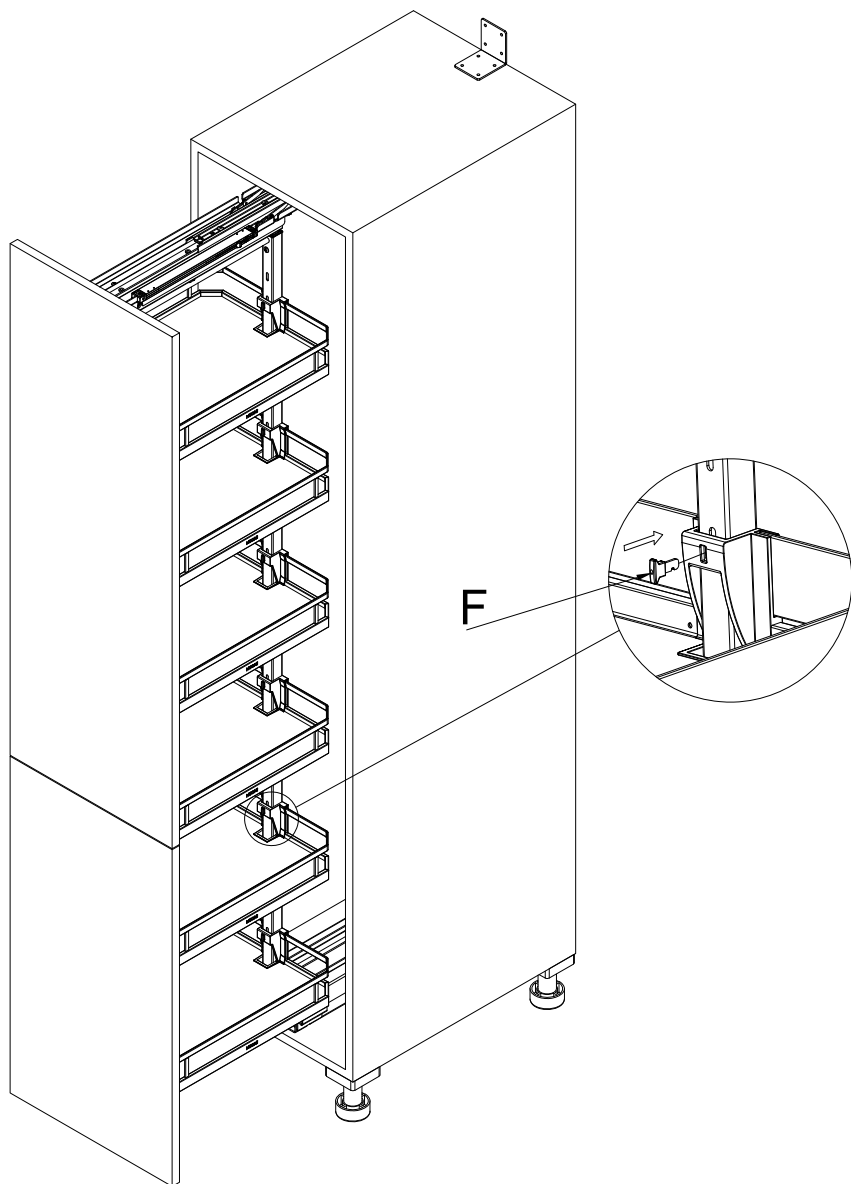


6.2c



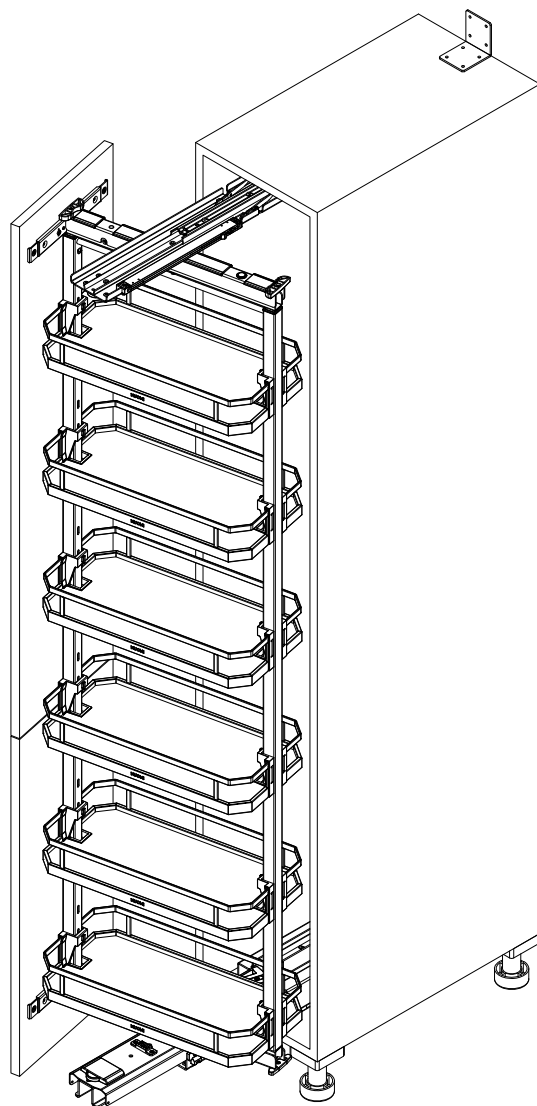
6.2d

7、 Fix the baskets

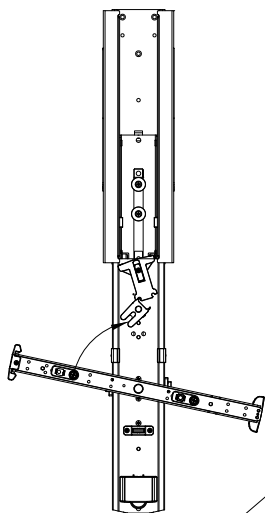


8、 Finish instruction

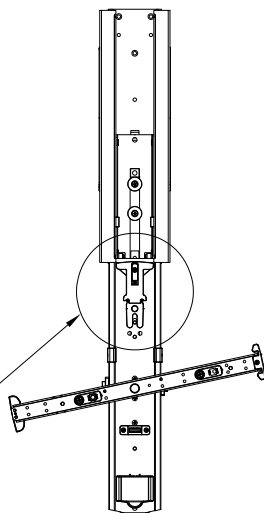
Note: Disassembly is carried out in reverse steps.



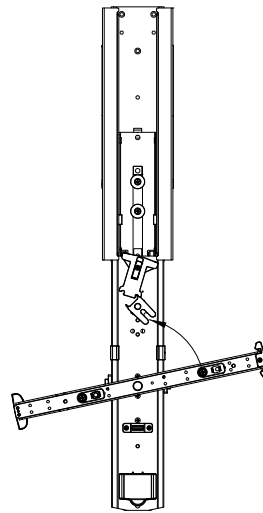
Left rotation



The incorrect state of the pendulum block



Right rotation



Note: When the pendulum block is in an incorrect state after rotate of the main frame, the pendulum block should be turned to the state of left rotation or right rotation (as shown in the picture), otherwise the main frame cannot to be normal.