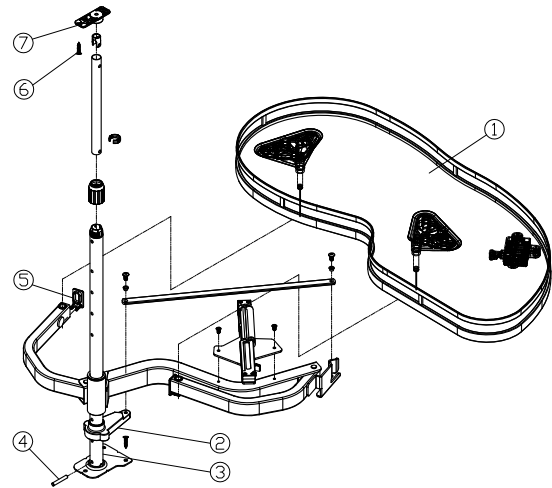
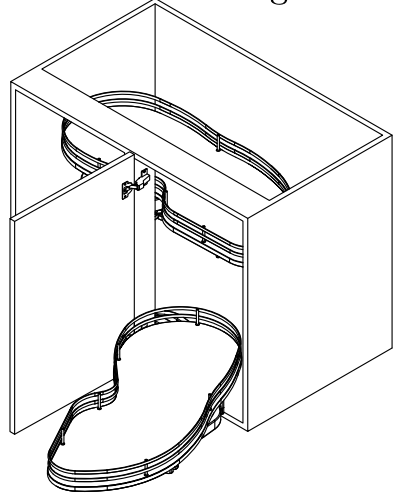


INSTALLATION INSTRUCTION

MAGIC CORNER (right open)

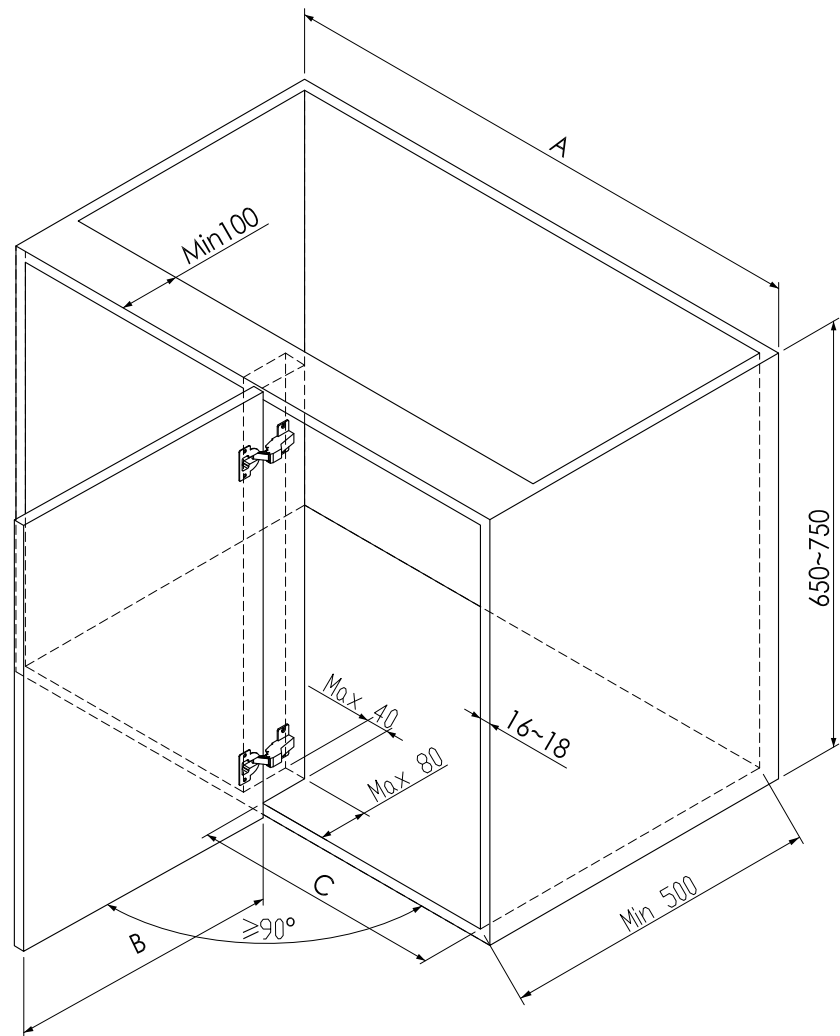
- 1, Read instruction before installation
- 2, applicative width 900/1000mm
applicative depth 500-550mm
- 3, Max load bearing: 10kg/shelf



Components

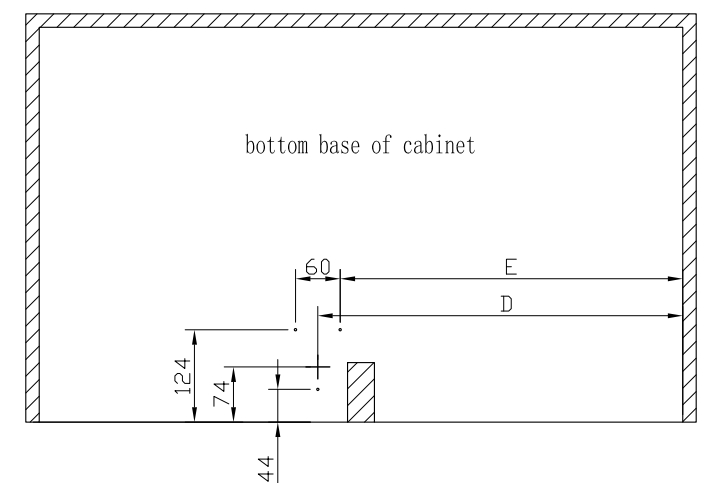
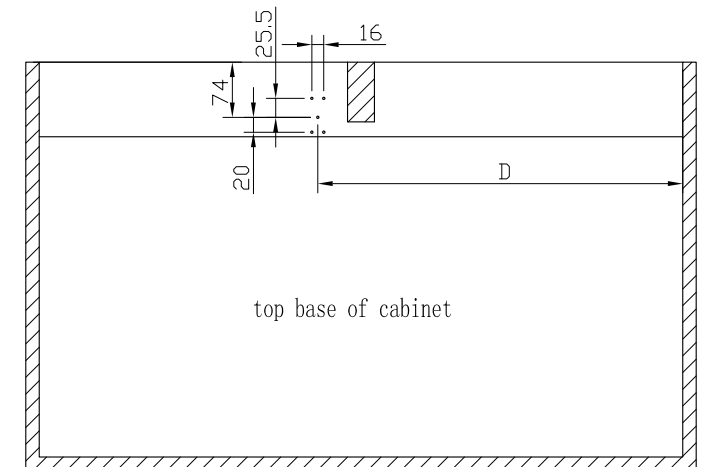
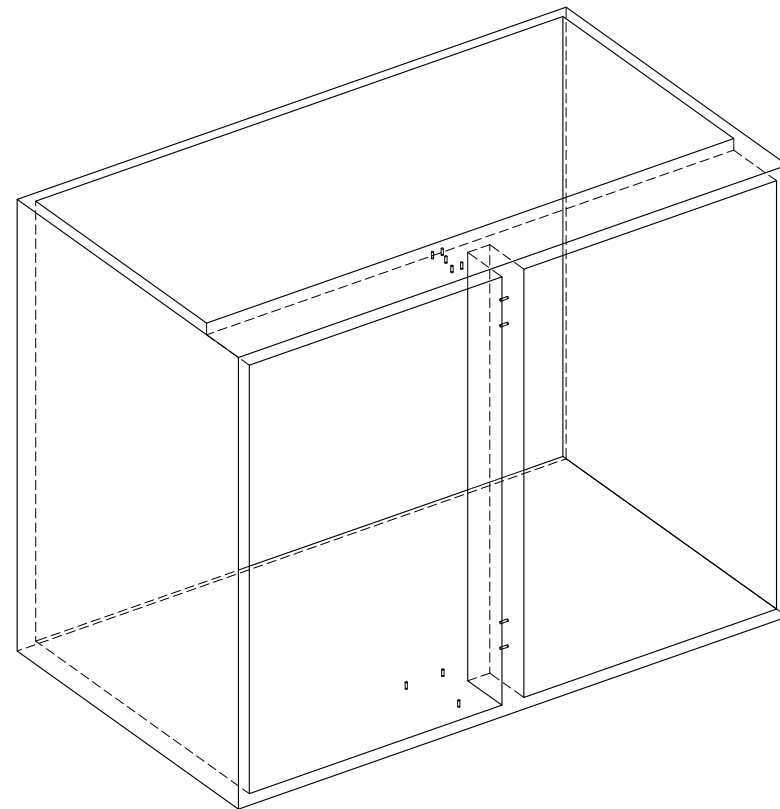
①	②	③	④ $\phi 6*38$
2 sets	2 set	1 set	2 pcs
⑤	⑥ ST4×16	⑦	⑧
4 pcs	8 pcs	1 pcs	1 pcs

Key dimensions



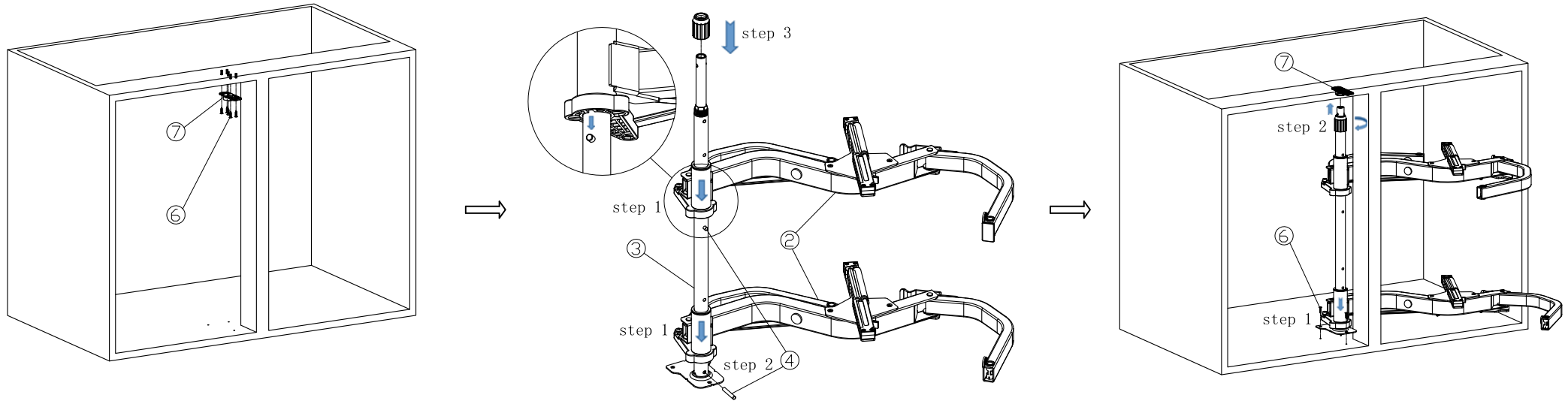
INSTALLATION STEPS

1. Position screw holes according to paper model ⑧



A	B	C	D	E
900	450	412~418	490	460
1000	500	462~468	540	510

fix part ⑦ on top base with screw ⑥



finish state

