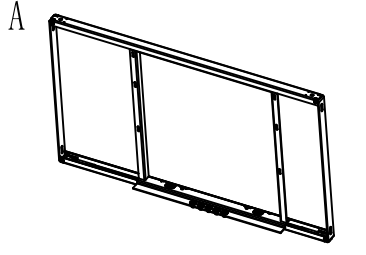
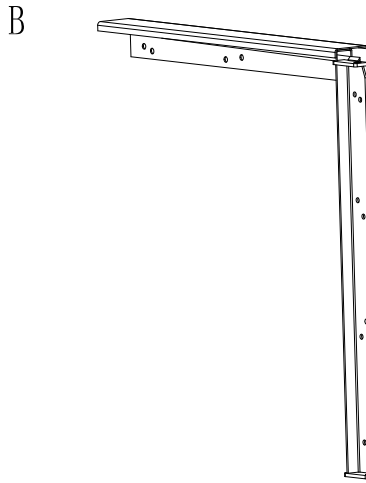


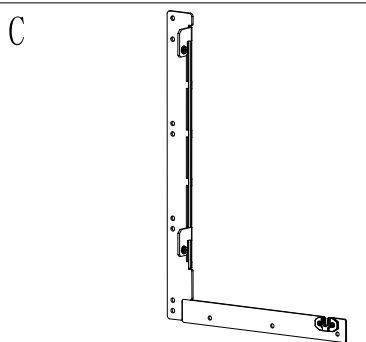
# 1 Magic Corner Assembly Instruction



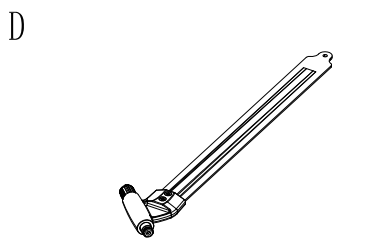
Rear frame 1pcs



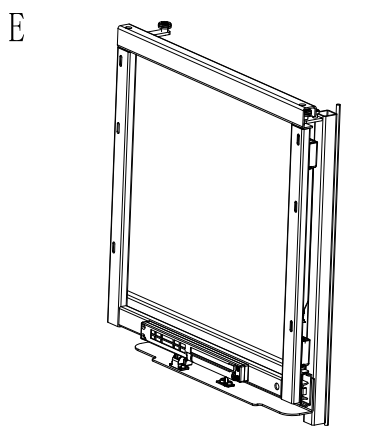
Component of side frame 1PCS



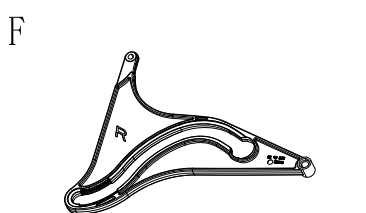
Fixed bracket for cabinet door adjustment 1pcs



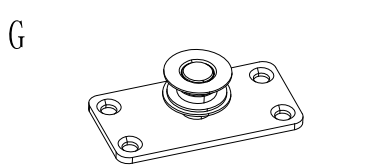
Connective component 1PCS



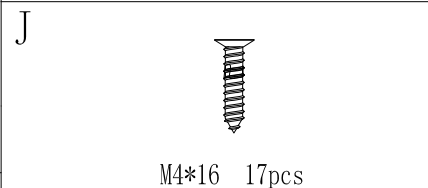
Movable frame 1pcs



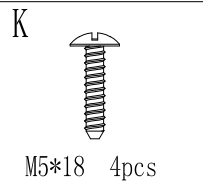
Plastic turnplate 1PCS



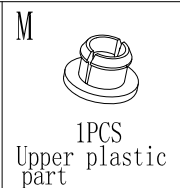
Gasket of sprindl 1PCS



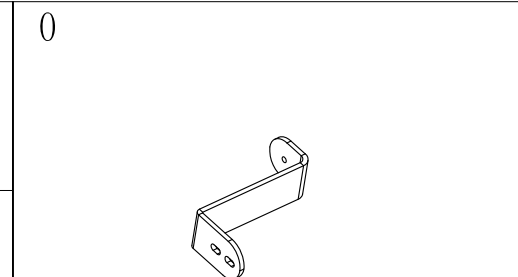
M4\*16 17pcs



M5\*18 4pcs



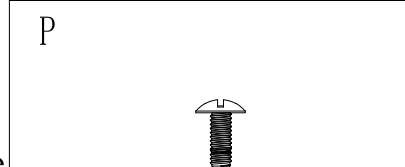
1PCS  
Upper plastic part



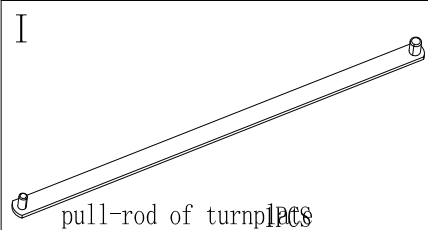
Fix bracket of rear frame 2PCS



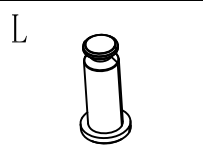
Casing part 1PCS



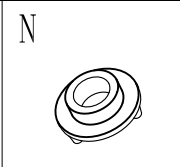
M5X12 2pcs



pull-rod of turnp 1PCS

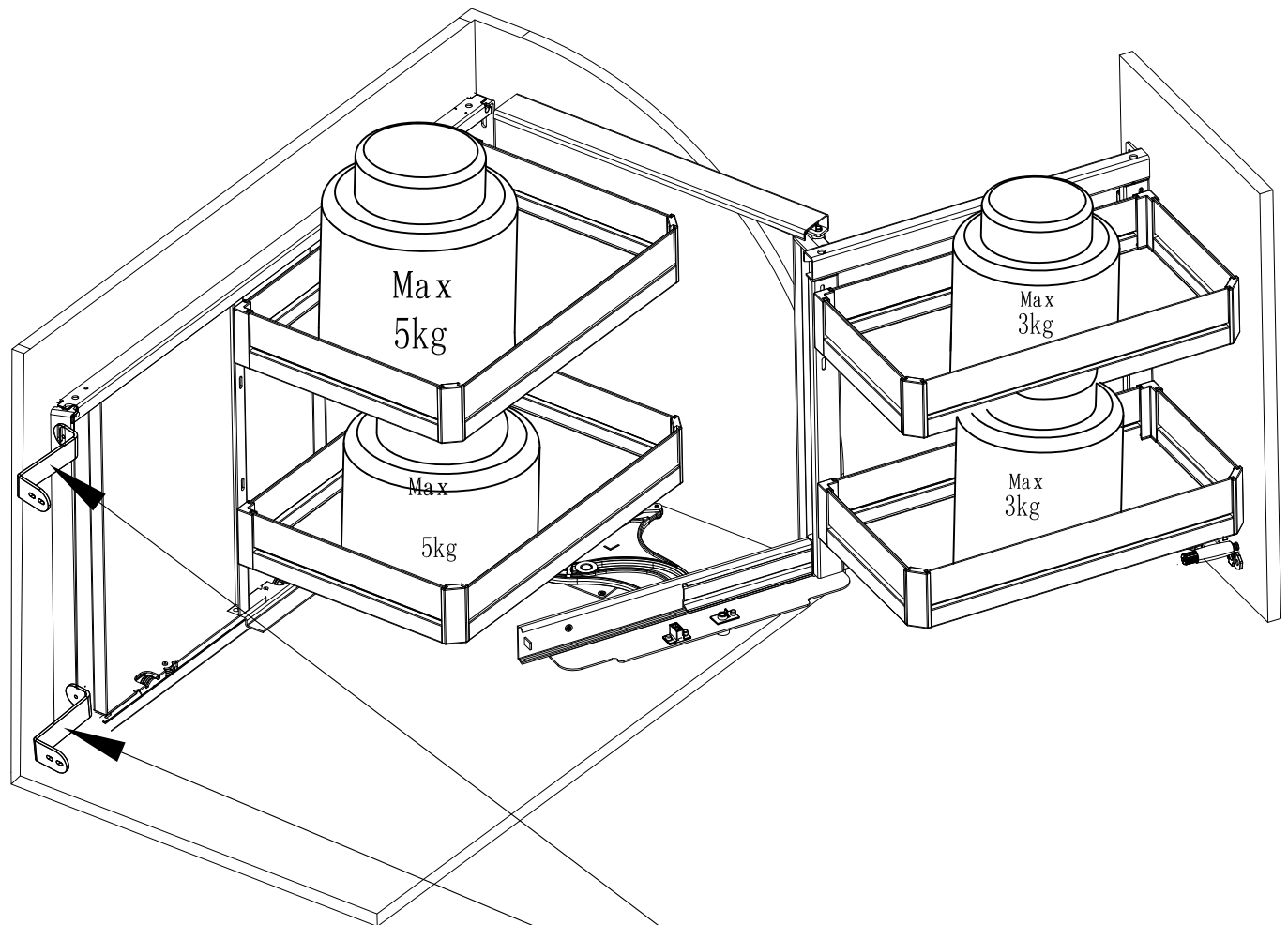


1PCS  
The dowel



1PCS  
Bottom plastic

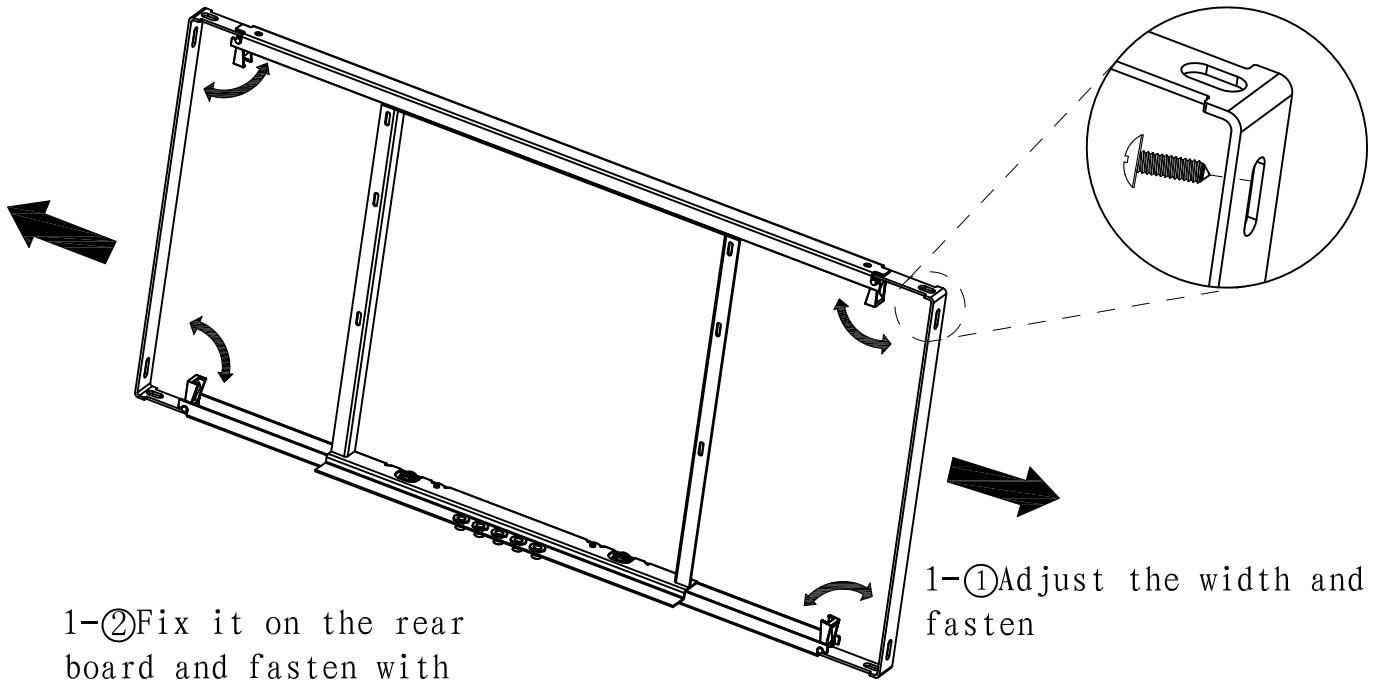
Below is right open



If cabinet width > 1000mm, need part "O"  
(screw "P" 2 P C S)

2

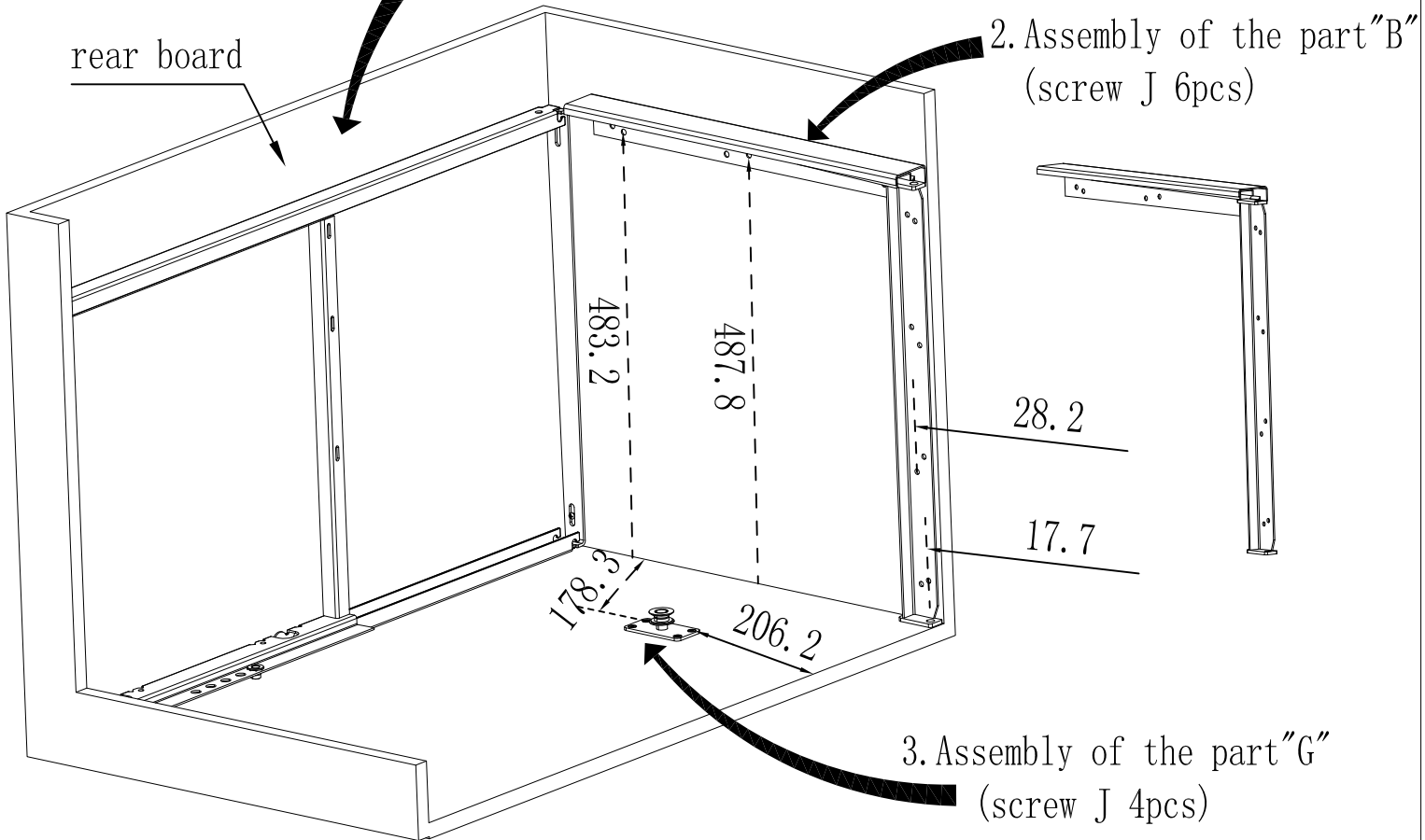
1. Assembly of rear frame  
(screw K 4pcs)



1-② Fix it on the rear board and fasten with screw in the right position

1-① Adjust the width and fasten

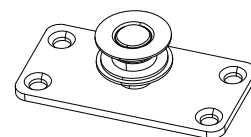
rear board



2. Assembly of the part "B"  
(screw J 6pcs)

3. Assembly of the part "G"  
(screw J 4pcs)

Drill screw holes according to the paper pattern, assembly of the parts following the screw holes correctly



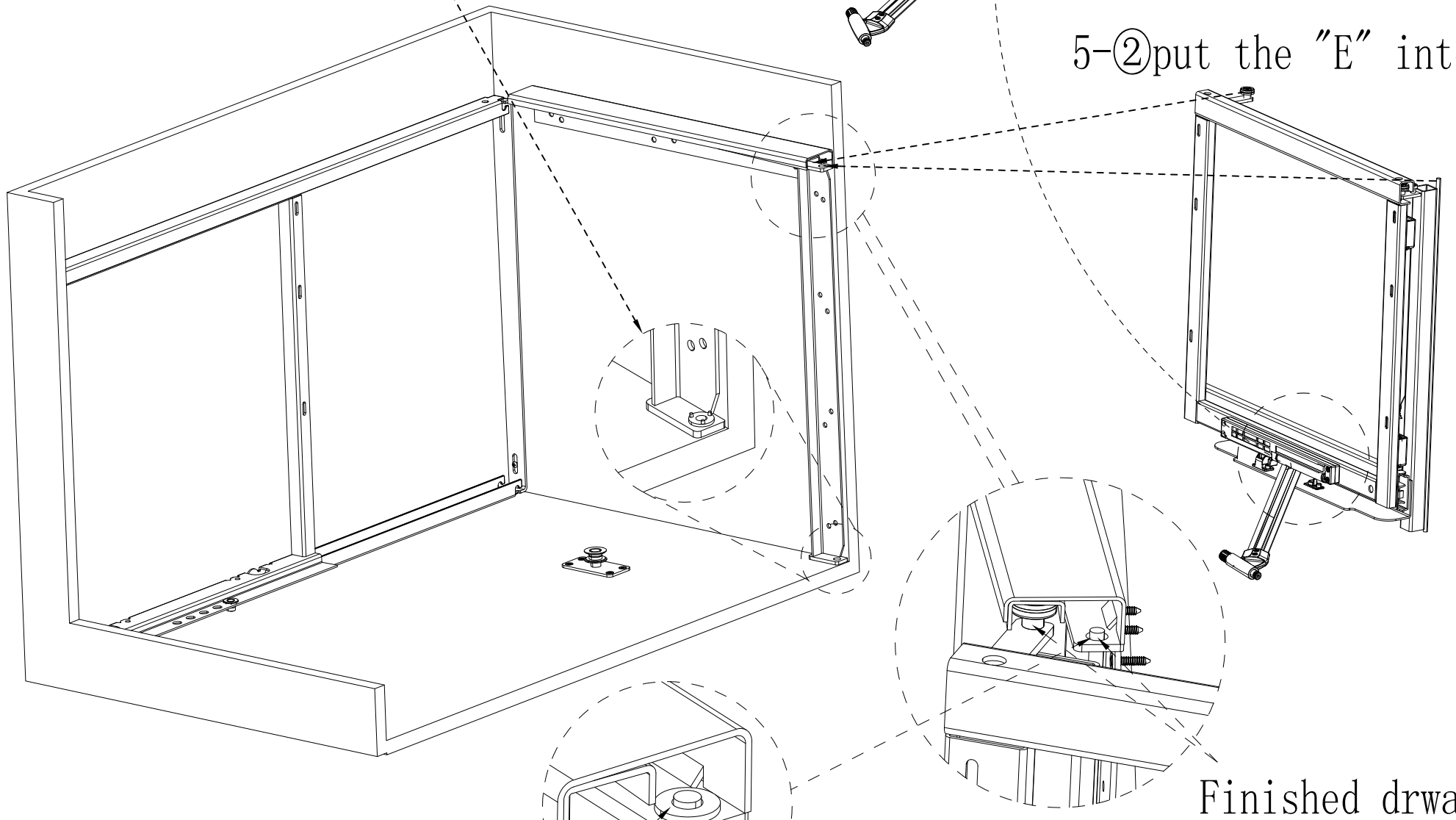
Finished drawing

4. Assemble part D  
loose the screw on the right  
position and fix part D with it  
there as drawing

5-① Put the "N" into "B"

5. Assembly of part "E"

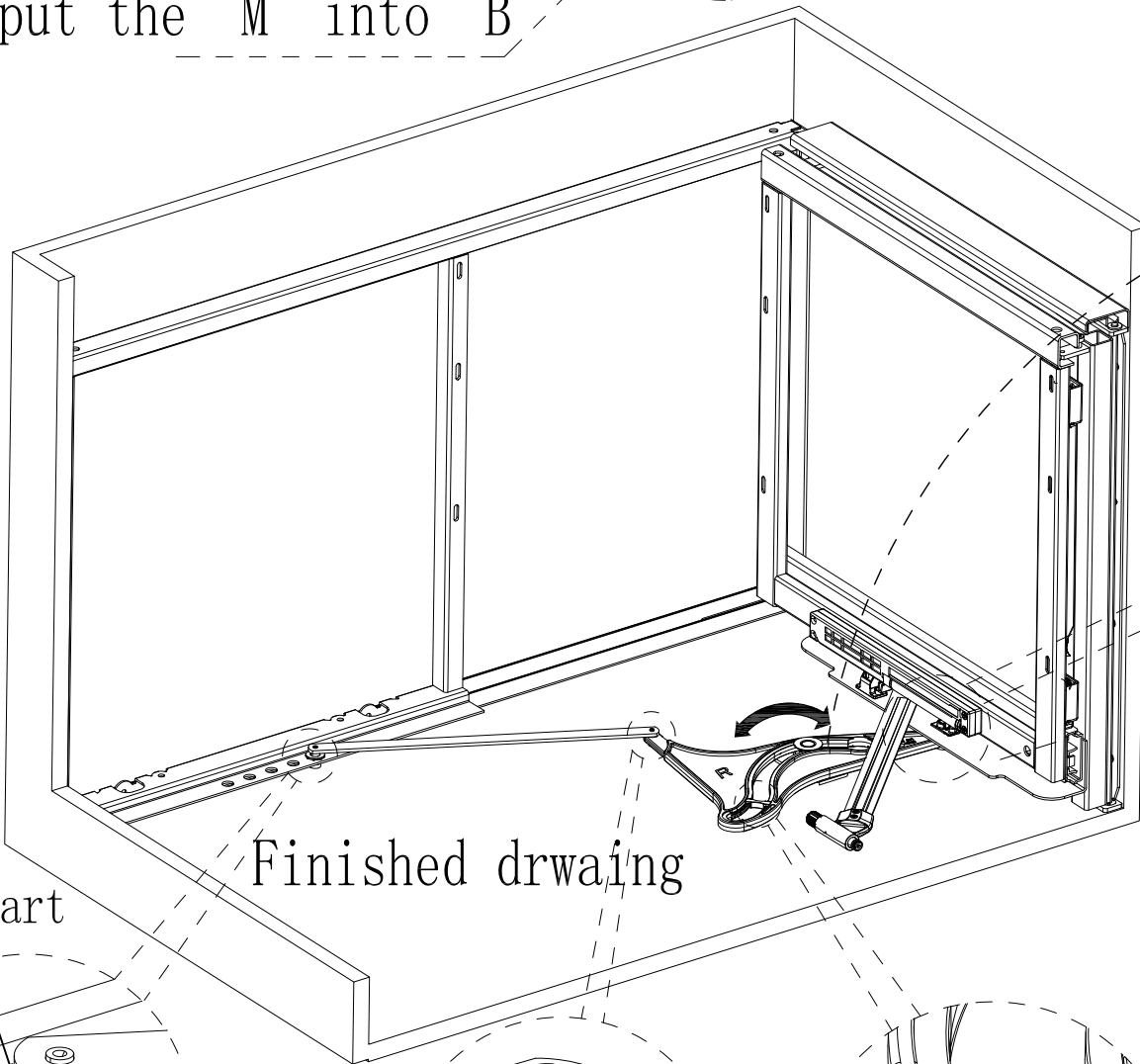
5-② put the "E" into "B"



Finished drawing

5-③ put the "M" into "B"

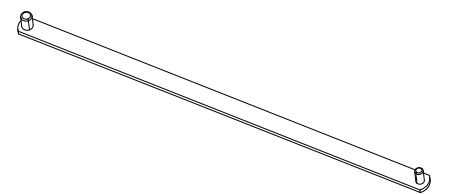
6. Assembly of part "F"



Finished drawing

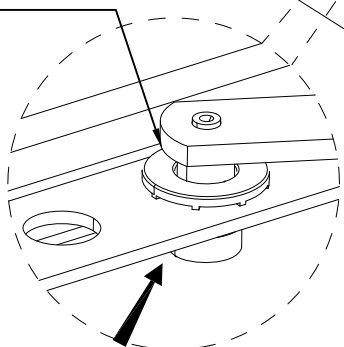
connected by the dowel (L)

7. Assembly of pull rod (I)

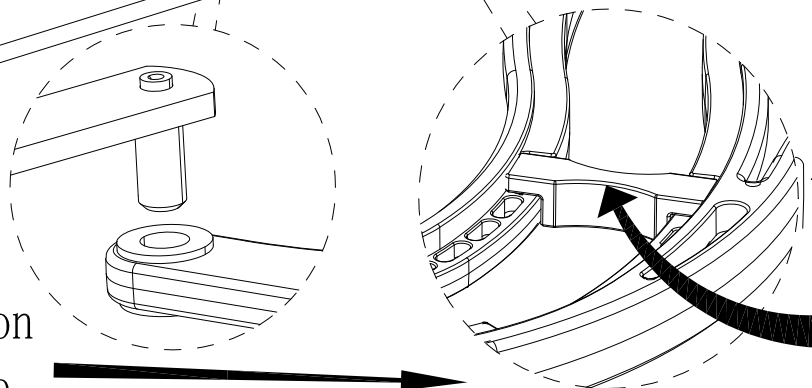


Adjust the opening angle  
of the door, then clip  
the plastic part on the  
suitable position

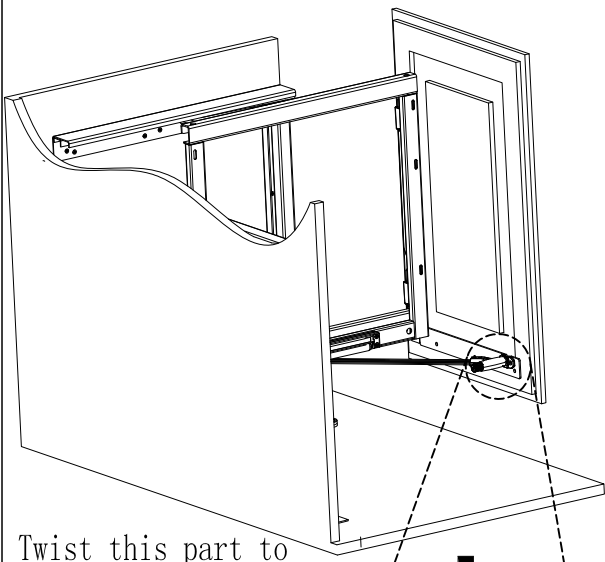
(Q) Casing part



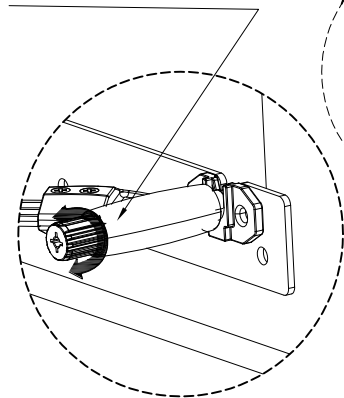
different hole position  
controls opening angle



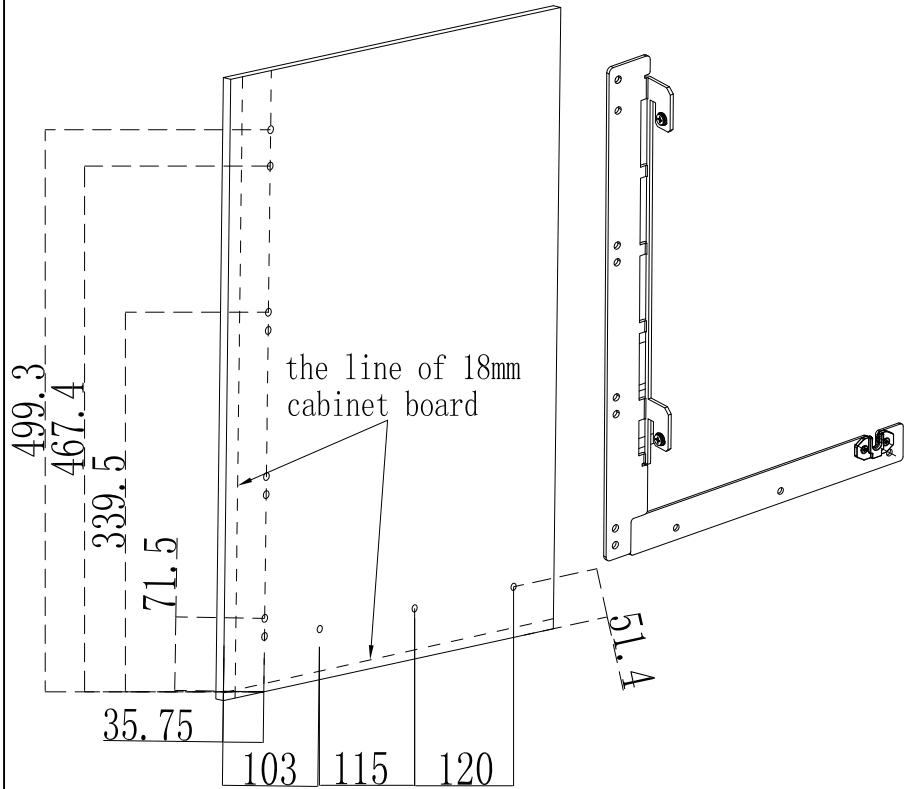
8. Assembly of the part "C"  
(screw "J" 7PCS)



Twist this part to adjust the vertical of the door

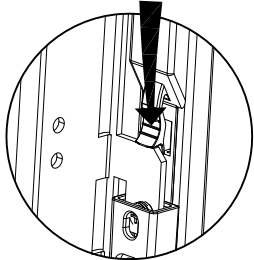


insert ③



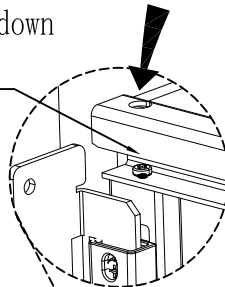
Following the paper pattern to assemble

press this part to take the door out if necessary

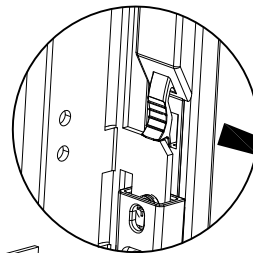


Adjust up and down ②

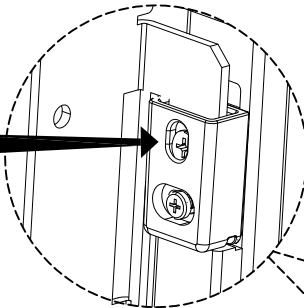
adjust up and down by this screw



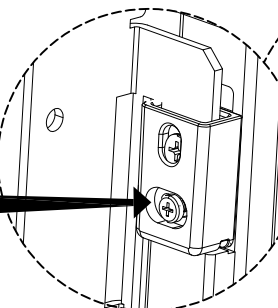
Finished drwaing



Adjust left and right by this plastic screw



Lossen this screw to adujst the vertical of the door, then fasten it



10. Moving smooth then finish installing

