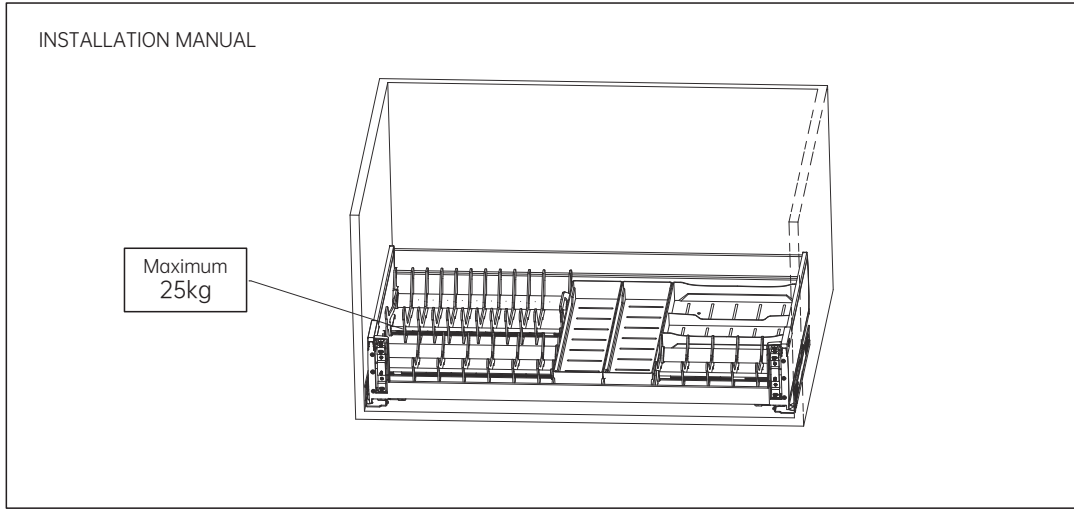


# Installation instruction01

## ● Preview



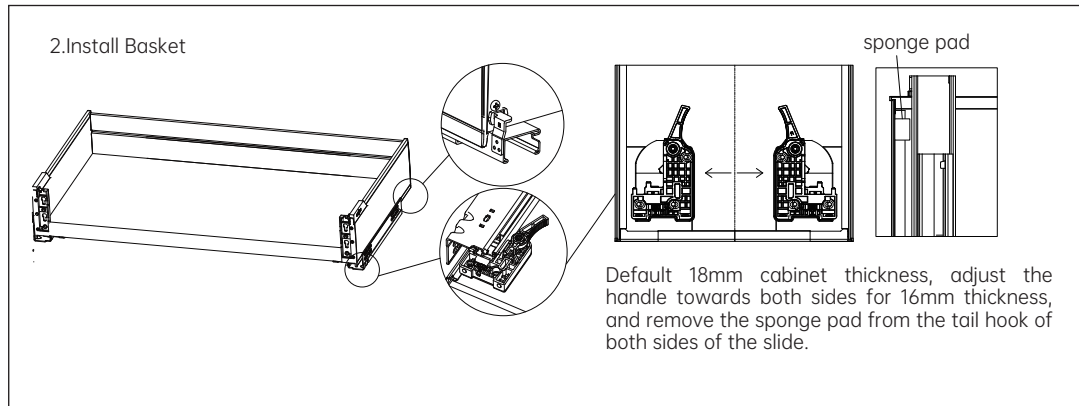
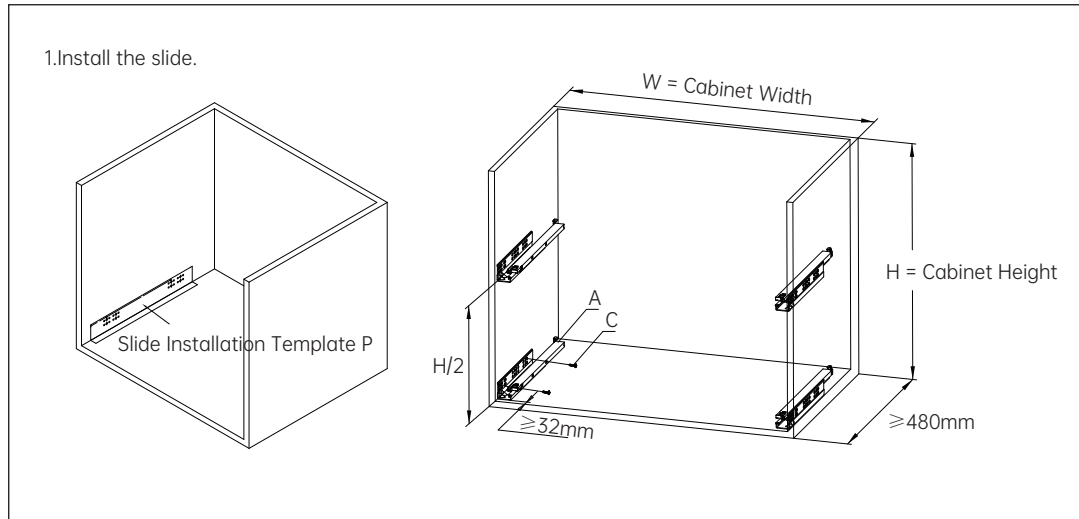
## ● Accessories List

<b>A</b>	X 1SET	<b>B</b>	X 1PCS	<b>C</b>	X 6PCS	<b>D</b>	X 6PCS	<b>E</b>	X 2PCS
Slide Rail		Basket		M4X16 Countersunk Self-Tapping Screws		M4X16 Flat Head Self-Tapping Screws		M4X18 Flat Head Machine Screws	
<b>F</b>	X 4PCS	<b>G</b>	X 1PCS	<b>H</b>	X 2PCS	<b>I</b>	X 4PCS	<b>J</b>	X 1PCS
M4X8 Flat Head Machine Screws		Decorative Cover		Door Board Connector		Machine Screws		Door Board Installation Template	
<b>K</b>	X 1PCS	<b>L</b>	X 1PCS	<b>M</b>	900 cabinet size X 2PCS the others X 1PCS	<b>N</b>	X 1PCS	<b>O</b>	X 1PCS
Plate Rack		Bowl Rack		Knife and Fork Storage Box		Chopstick Storage Box		Bowl Rack	
<b>P</b>									X 1PCS
	Slide Installation Template								

## ● Product Specifications and Applicable Cabinet Width

Specifications (W*D*H)	Cabinet width	Number of discs	Number of bowls
564*471*162mm	564-568mm	4	8
664*471*162mm	664-668mm	8	10
714*471*162mm	714-718mm	9	11
764*471*162mm	764-768mm	11	12
864*471*162mm	864-868mm	11	12

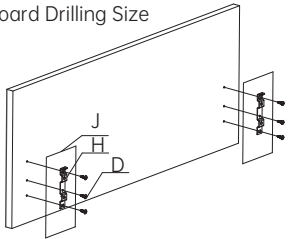
## ● Installation instructions



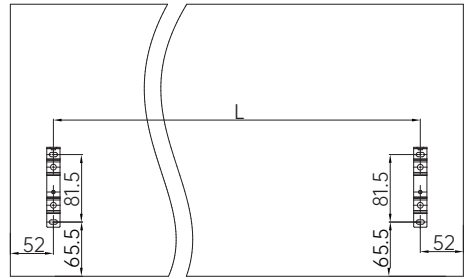
# Installation instruction02

### 3.Install The Door Board

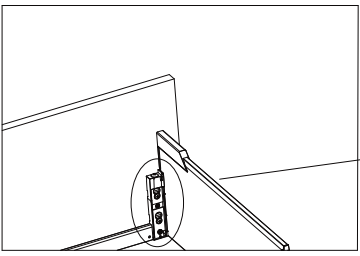
Door Board Drilling Size



Install H using J.



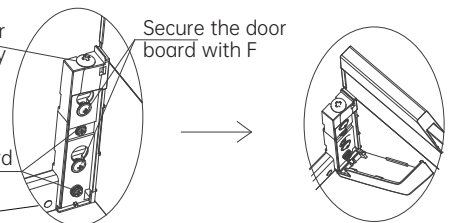
### 4.Door Board Installation Screws



Adjust the door board vertically with E

Adjust the door board horizontally with I;

Secure the door board with F



Lock all screws and attach the decorative cover G

### 5.Place the accessories into the basket (the accessories may vary depending on different cabinets)

