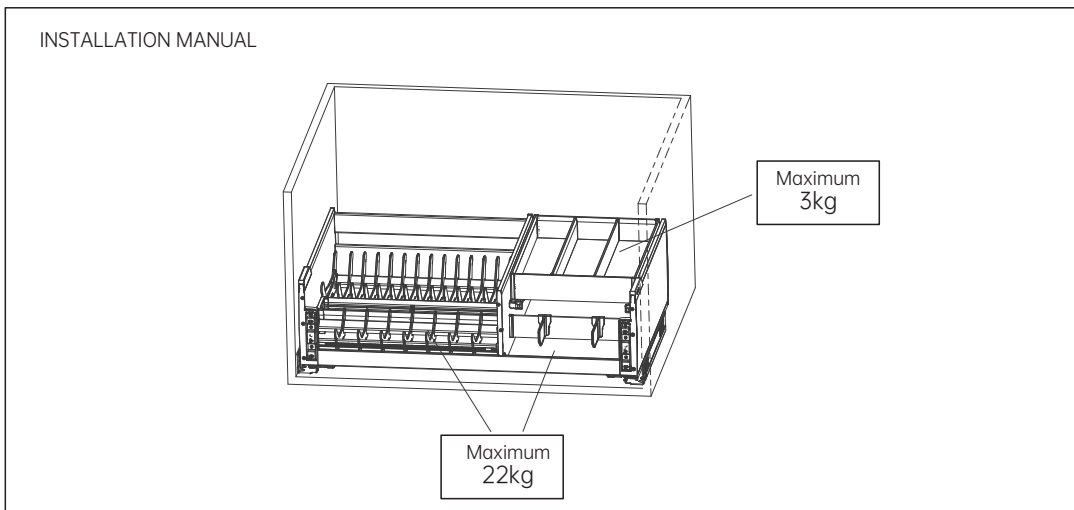


# Installation instruction01

## ● Preview



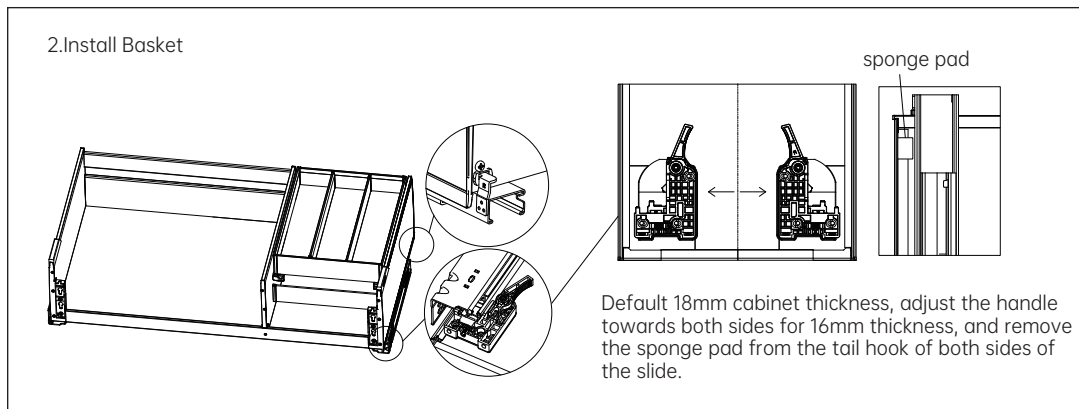
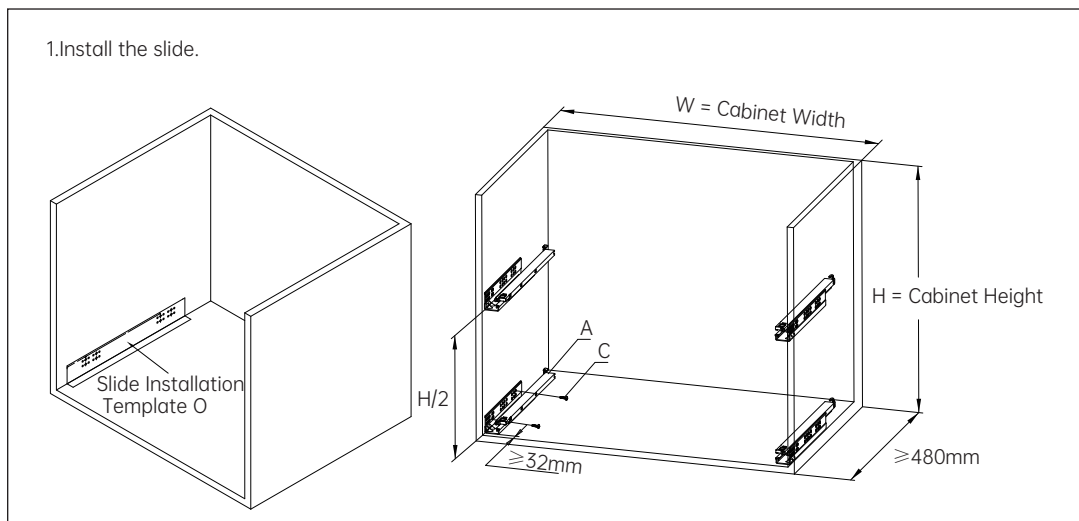
## ● Parts list

<b>A</b>	X 1SET	<b>B</b>	X 1PCS	<b>C</b>	X 6PCS	<b>D</b>	X 6PCS	<b>E</b>	X 2PCS
Slide rail		Basket		M4X16 Countersunk Self-Tapping Screws		M4X16 Flat Head Self-Tapping Screws		M4X18 Flat Head Machine Screws	
<b>F</b>	X 4PCS	<b>G</b>	X 1PCS	<b>H</b>	X 2PCS	<b>I</b>	X 4PCS	<b>J</b>	X 1PCS
M4X8 Flat Head Machine Screws		Decorative Cover		Door Board Connector		Machine Screws		Door Board Installation Template	
<b>K</b>	X 1PCS	<b>L</b>	X 1PCS	<b>M</b>	X 1PCS	<b>N</b>	600 cabinet sizeX1PCS the othersX 2PCS	<b>O</b>	X 1PCS
Plate Rack		Bowl Rack		Storage Box		Divider		Slide Installation Template	
<b>P</b>	X 2PCS	<b>Bumper Guard</b>							

## ● Product Specifications and Applicable Cabinet Width

Specifications (W×D×H)	Cabinet width	Number of discs	Number of bowls
564×471×162mm	564-568mm	9	6
664×471×162mm	664-668mm	11	7
714×471×162mm	714-718mm	13	8
764×471×162mm	764-768mm	13	8
864×471×162mm	864-868mm	16	10

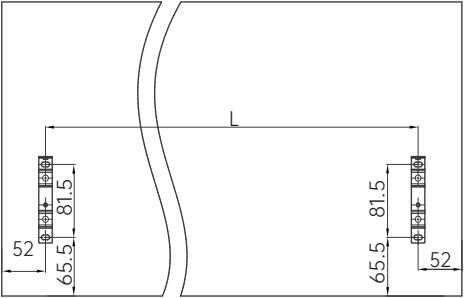
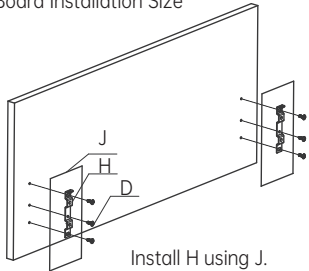
## ● Installation instructions



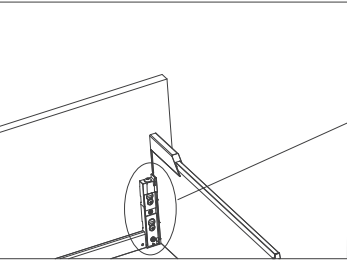
# Installation instruction02

### 3.Install The Door Board

Door Board Installation Size



### 4.Door Board Installation Screws

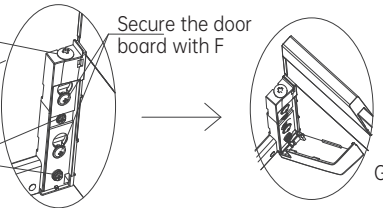


Adjust the door board vertically with E

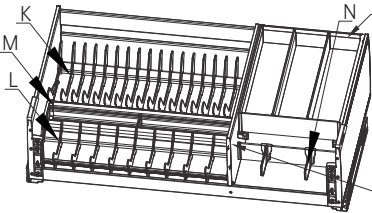
Adjust the door board horizontally with I

Secure the door board with F

Lock all screws and attach the decorative cover G



### 5.Place the accessories into the basket (the accessories may vary depending on different cabinets)



Align the accessories with the slot in the direction of the arrow, then press down to secure them in