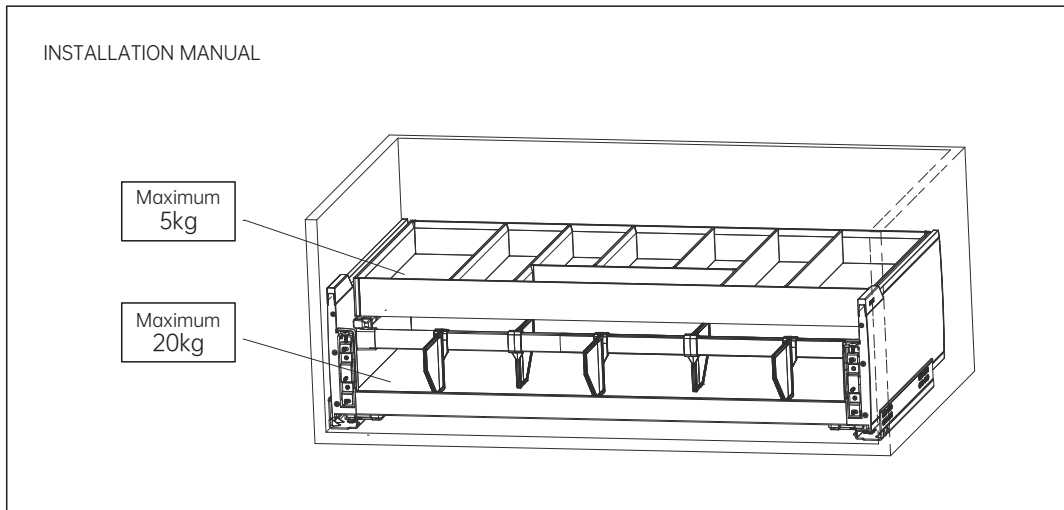


# Installation instruction01

## ● Preview



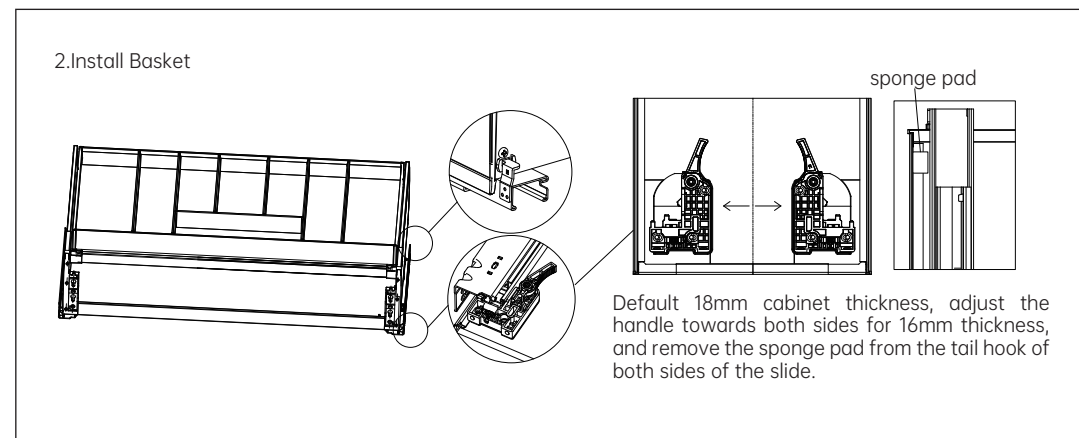
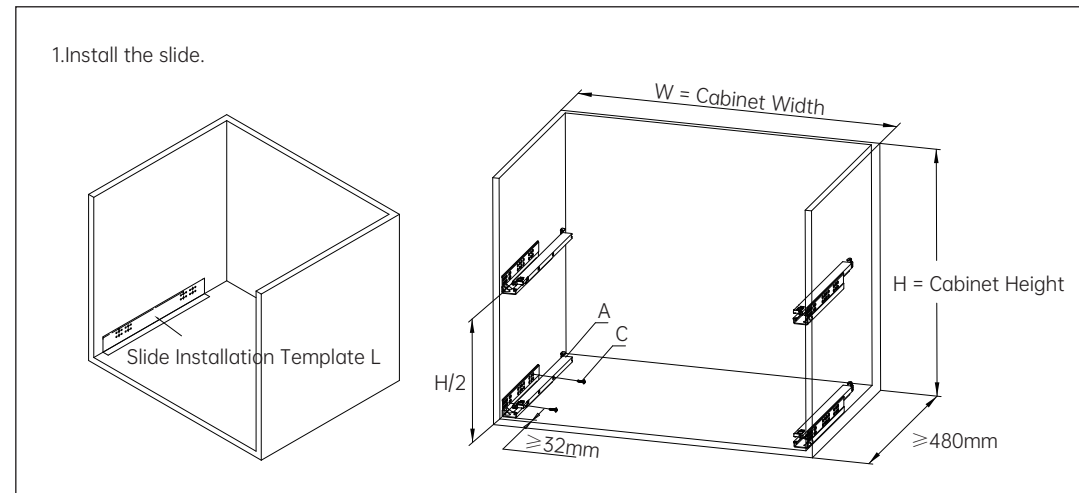
## ● Accessories List

<b>A</b>	X 1SET	<b>B</b>	X 1PCS	<b>C</b>	X 6PCS	<b>D</b>	X 6PCS	<b>E</b>	X 2PCS
Slide Rail		Basket		Countersunk Self-Tapping Screws		Flat Head Self-Tapping Screws		Flat Head Machine Screws	
<b>F</b>	X 4PCS	<b>G</b>	X 1PCS	<b>H</b>	X 2PCS	<b>I</b>	X 4PCS	<b>J</b>	X 1PCS
Flat Head Machine Screws		Decorative Cover		Door Board Connector		Machine Screws		Door Board Installation Template	
<b>K</b>	900/800 cabinet size X 5PCS the others X 4PCS	<b>L</b>	X 1PCS	<b>M</b>	X 2PCS				
Divider		Slide Installation Template		Bumper Guard					

## ● Product Specifications and Applicable Cabinet Width

Specifications (W x D x H) mm	Cabinet width
564x471x226	564-568
664x471x226	664-668
714x471x226	714-718
764x471x226	764-768
864x471x226	864-868

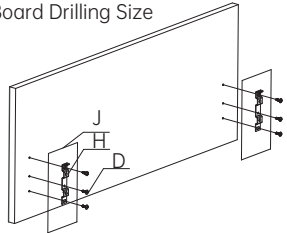
## ● Installation instructions



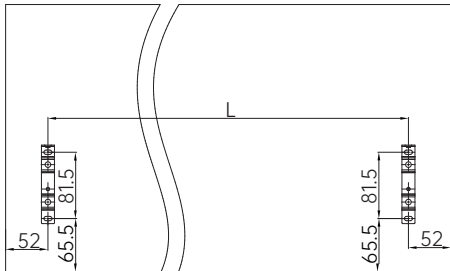
# Installation instruction02

### 3.Install The Door Board

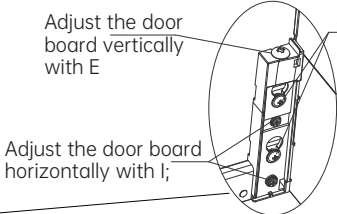
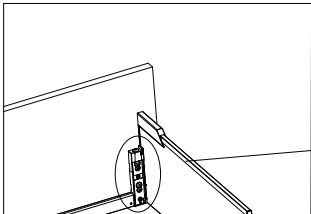
Door Board Drilling Size



Install H using J.

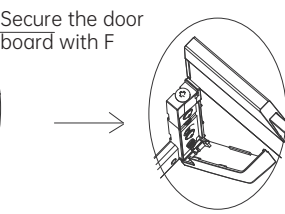


### 4.Door Board Installation Screws



Adjust the door board vertically with E

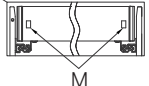
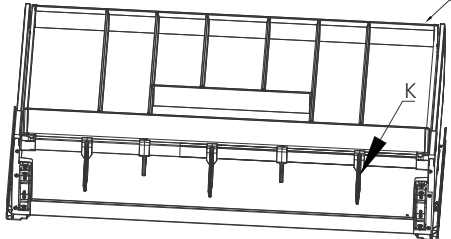
Adjust the door board horizontally with I;



Secure the door board with F

Lock all screws and attach the decorative cover G

### 5.Place the accessories into the basket (the accessories may vary depending on different cabinets)



Apply bumper guard