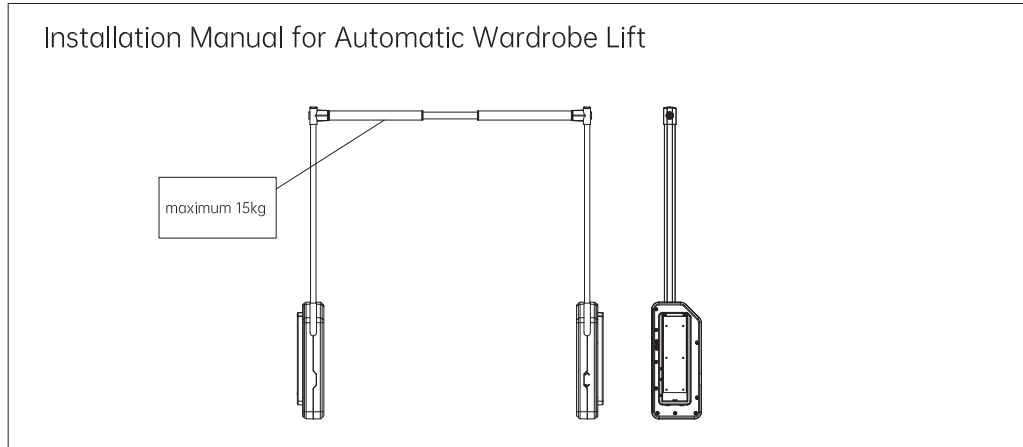


Installation instruction¹

● Preview



● Parts list

A	X 2PCS	B	X 1SET	C	X 2PCS	D	X 1PCS	E	X 2PCS
Main unit		Rod		Fixing bracket		Power adapter		Cover	
F	X 2PCS	G	X 1PCS	H	X 12PCS	I	X 4PCS	J	X 2PCS
Harness		Remote control		Self-tapping screws		Machine screws		Self-tapping screws	
K	X 2PCS	L	X 1PCS	M	X 2PCS				
M8*35		M5		Paper guide card					
Machine screws		Hex key							

● Product Specifications and Applicable Cabinet Width

Name	Automatic Wardrobe Lift	Net Weight	6.5kg
Model	6111605/6101605/6091605	Gross Weight	7.3kg
Rated Voltage	220V ~ /50HZ	Overall dimension	140x75x881.5mm
Applicable Cabinet Width (Y) mm	800-1000mm	Package Size	930x320x115mm

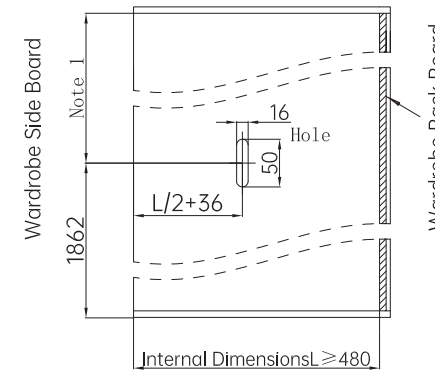
● Installation Steps

1. Open holes on both sides of the wardrobe side panels according to the ground height

The optimal recommended height for use is 1862mm above the floor for the holes. If the cabinet is not suitable, please adjust it downward.

Note 1: Prioritize ensuring that the wire passage hole is ≥ 700 mm away from the top board. Otherwise, there may be interference between the machine and the top board.

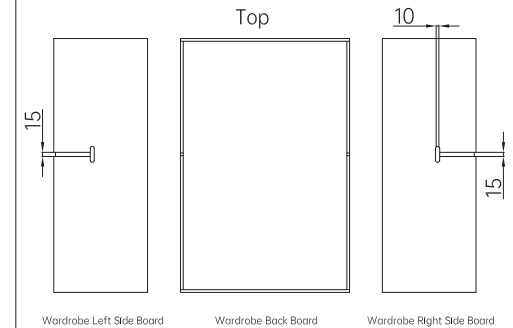
Note 2: The thickness of the power adapter is 33mm. If it is placed on the top of the cabinet, please reserve a distance of ≥ 35 mm on the cabinet top.



2. Please follow the instructions in the diagram and the wardrobe factory should open the wire duct in advance according to the following diagram.

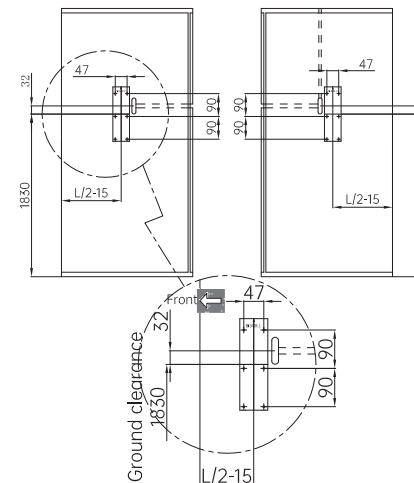
Communication cable duct: With the holes on the left and right side boards as the center, groove parallel to the bottom board, with a width of 15mm * depth 10mm.

Power cable duct: Slot and extend to the top of the cabinet in the direction of holes on the right side board perpendicular to the bottom board.

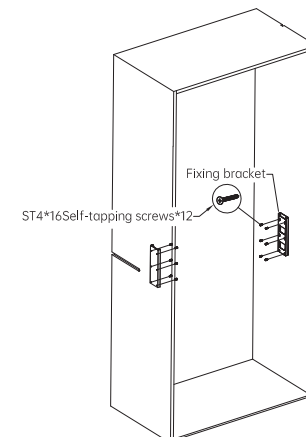


3. Set pre-embedded holes on the inner side of the side panel, or align the installation position according to the punched card.

Please locate the positioning points on both sides inside the cabinet as shown in the diagram, align to the markings on the punched card, and secure the fixing bracket with screws.



4. Align the fixing bracket with the paper guide card, and use a screwdriver to tighten the fixing bracket to the inside of the side board.

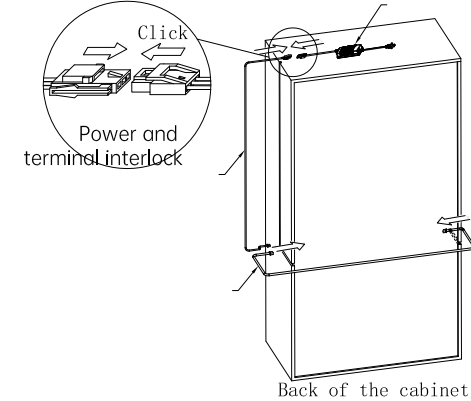


Installation instruction 2

Installation Steps

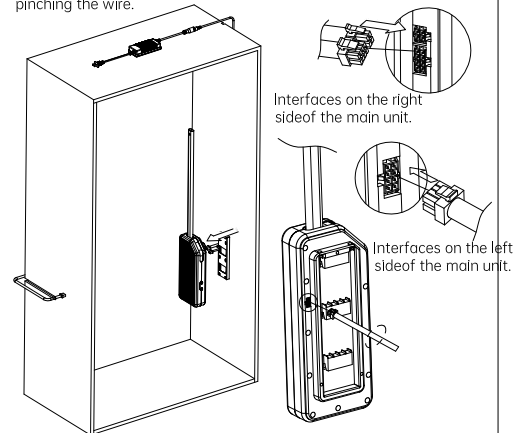
5. From the outside of the cabinet, thread the connecting wire through the through-hole according to the diagram and enter the cabinet. Place the power adapter on the top of the cabinet and connect the 4-pin harness to the power supply.

⚠ Note: Please ensure that the 220V power supply is not connected before completing the connection between the control box and the left and right main units. Otherwise, it may cause product asynchronization or damage.



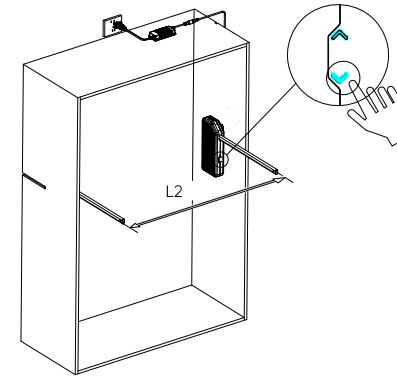
6. Please connect the host and wiring harness as shown in the diagram, and make sure to plug them in place.

Align the terminals of the harness with the corresponding interfaces on the back of the main unit and insert them. When properly inserted, there will be a "click" sound to indicate a successful connection. After connecting, neatly arrange the connecting cable and embed it in the cable groove to avoid pinching the wire.

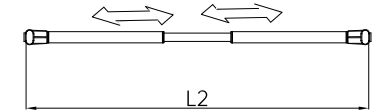


Installation Steps

After the product initialization is completed, press the ▼ button, and the clothes hanger will automatically descend. Measure the distance L2 between the two side arm rods.

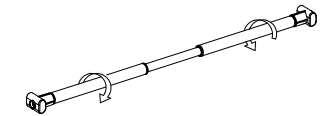


Adjust the rod distance to balance it according to the L2, ensuring that the outer cover of the pull arm matches the L2.



After adjusting the length of the rod, tighten it by rotating in the direction indicated in the diagram; conversely, loosen it.

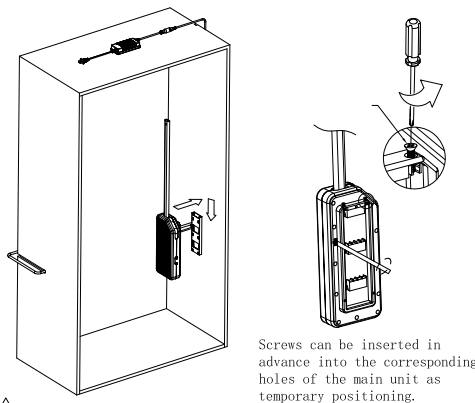
⚠ Note: Length adjustment: Hold the outer tube by hand, then tighten it in the direction shown in the diagram.



7. Installing and fixation of the main unit

Align the hooks on the back of the main unit to the opening of the fixing bracket, move towards the cabinet side panel, and firmly insert the hanger downwards, ensuring it is in place.

Use a cross-head screwdriver to vertically tighten the top screws on main unit(A) until the screw is level with the outer casing. The installation method for the left and right main units is the same as above.



⚠ Note: Please make sure not to clamp the wires.

8. Remote control pairing and main unit powering on

⚠ Install batteries into the remote control, paying attention to the correct polarity, and avoid installing them incorrectly.

Remote control activation:

Press any button on the remote control, then power on the product. When you hear the product emit a "beep beep beep" sound, it indicates that the remote control has been activated.

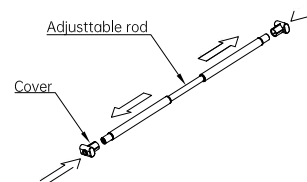
Note: When installing multiple devices simultaneously, make sure to power on and pair one device at a time to avoid signal interference.

9. Product initialization

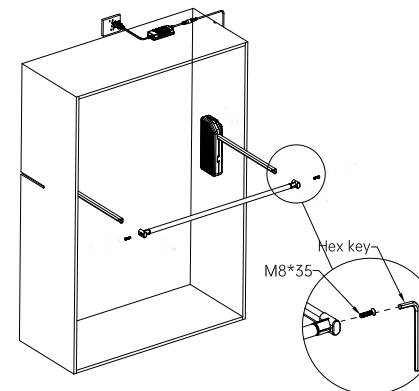
After powering on the product, press any button, and the product will perform a self-check. The machine will automatically move in a loop and reset to the default position.

10. Rod and remote control installation

Assemble the adjustable crossbar and the outer cover of the pull arm as shown in the picture, and insert the outer cover of the pull arm into the outer tube in place.

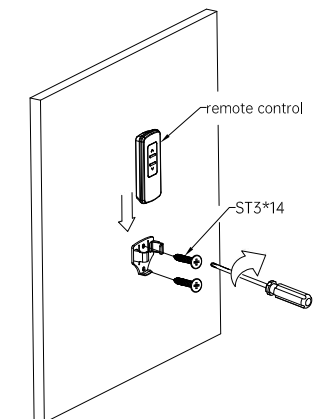


After inserting the rod component to the ▼ bottom of the side arm rods, tighten the M8*35 screws with a hex key.



Use screws to secure the remote control holder to the appropriate position on the inside of the cabinet for storage.

⚠ Note: Do not control the hanger when the door panel is closed, to avoid collision between the hanger and the door panel, which may cause damage.



Installation instruction 3

● Instructions For Use

Product Initialization: Regardless of the position of the clothes hanger, after the initial power-on, pressing any button will automatically reset the clothes hanger to the default position.

Product Operation: After product initialization, press the ▼ button to automatically lower the clothes hanger, press the ▲ button to automatically raise it. During the lifting or lowering process, pressing the ▲ or ▼ button will pause the operation.

Return Reminder: If the clothes hanger does not return to the initial position for a long time, the product will emit a "beep" sound every half an hour as a reminder, until the clothes hanger returns to the initial position.

Energy-saving Standby: If there is no lifting or lowering operation for a long time, the clothes hanger will enter an energy-saving sleep mode. In sleep mode, the brightness of the buttons is half-lit. Pressing any up or down button will restore normal operation.

● After-sales Service

Fault	Analysis	Solutions
1.The button light is not on.	1.The power is not turned on.	1.Please confirm the power socket is supplying power.
2.Both side arms do not move simultaneously.	2.The connecting wire is loose.	2.Ensure the connecting wire is securely connected to the port.
3.One side arm has no movement.	3.Motor malfunction.	3.Disconnect the power and contact customer service for further assistance.
4.The two side arms are not synchronized.	4.Poor contact of the connecting wire.	4.Ensure the connecting wire is securely connected to the port.
5.The button light is red.	5.Circuit board malfunction.	5.Disconnect the power and contact customer service for further assistance.
6.The remote control buttons are not responding	6.Depleted battery.	6.Replace the battery.

Common Phenomena and Handling Suggestions

- Our company provides lifetime maintenance and technical services. For services beyond the warranty period, corresponding material costs and repair fees will be charged.
 - Our company will provide services based on the relevant provisions of the "Consumer Rights Protection Law, with the presentation of the warranty card and a valid purchase proof.
 - In the event of changes in after-sales service locations across different regions, notice will not be provided separately. You can call the service hotline, and customer service personnel will guide you to the nearest service point for repairs.
- The following situations are not covered by the warranty:
- Damage caused by the user's disassembly of the product, improper storage, or installation or repair conducted by dealers or authorized service centers not designated by our company.
 - Failure to use the product correctly according to the instructions.
 - Altered invoices or lack of a valid purchase proof and warranty card.
 - Repairs involving components not explicitly mentioned.

Warranty Card

User Info	User Name	
	Purchase Date	
	Address	
	Phone Number	
Dealer Info	Company Name	
	Company Address	
	Phone Number	
Product Name	Item No.	Assembly Date

Warranty Regulations

- This product comes with a 2 year warranty (counted from the date of purchase).
- Warranty coverage: Electrical system.
- The following situations are not covered by the warranty, and damages arising from them are not within the warranty coverage:
 - Damages to components caused by violations of the operating instructions and resulting losses.
 - Power supply not meeting the technical requirements for product use.
 - Damages caused by using non-specialized power cords and sockets without grounding.
 - Damages resulting from user disassembly, improper storage, or installation/maintenance by dealers or authorized technical service not designated by our company.
 - Improper use not in accordance with the instructions.
 - Altered invoices or lack of a valid purchase proof and warranty card.
 - Damages caused by exceeding the load capacity, using the remote control with the door closed, resulting in deformation of the machine or motor burnout.
 - Our company provides lifelong maintenance service, and charges corresponding material costs and repair fees for issues beyond the warranty period.
 - This card is only valid for use by the purchasing user and is not transferable.

After-sales Service Record

Date	Reason	Service Situation	Service Personnel Signature	User Signature	Remark