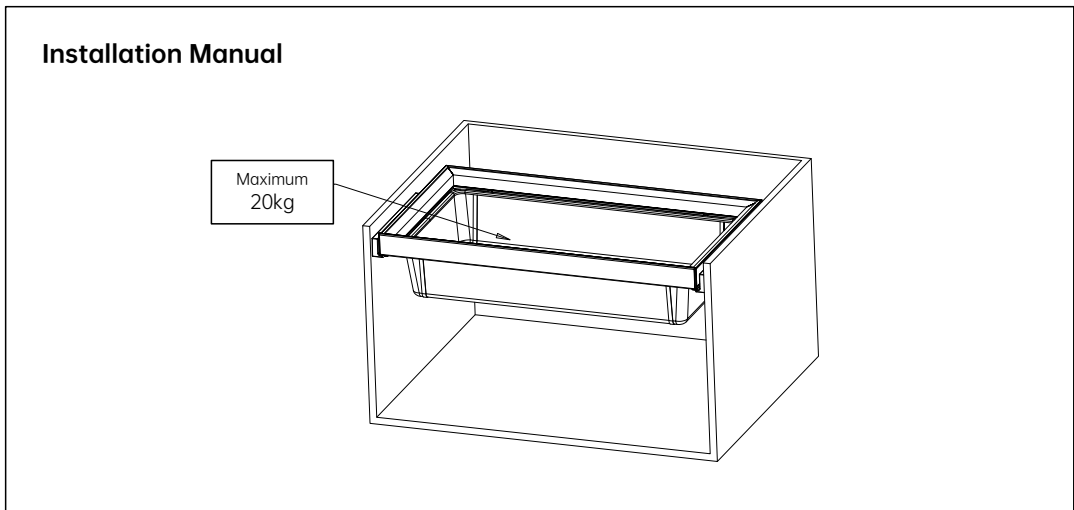


# Installation instruction01

## ● Preview



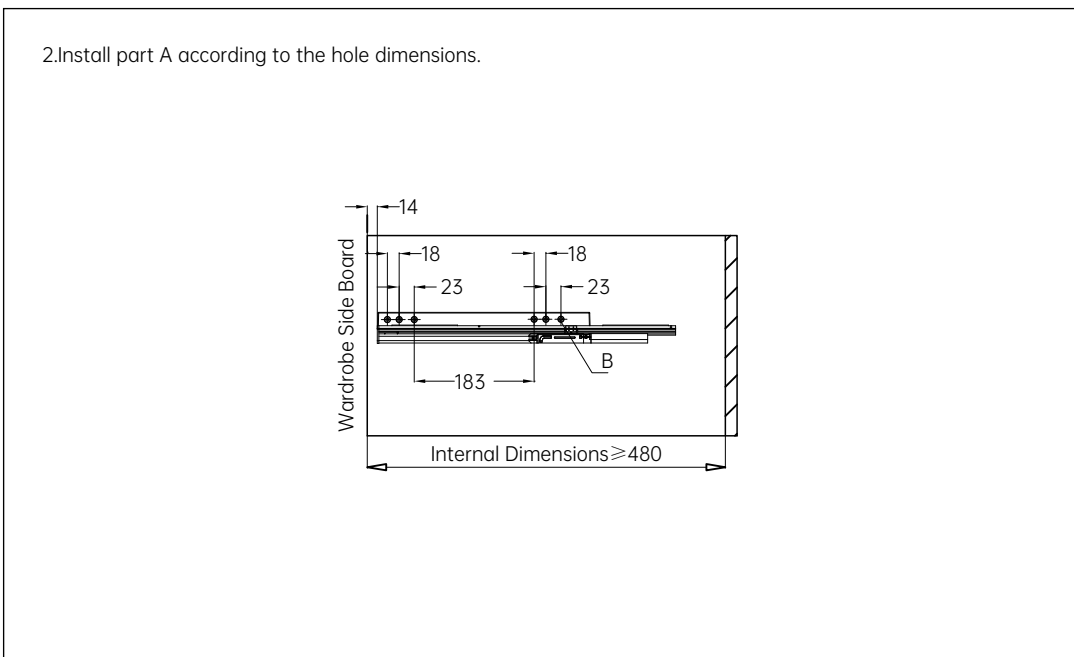
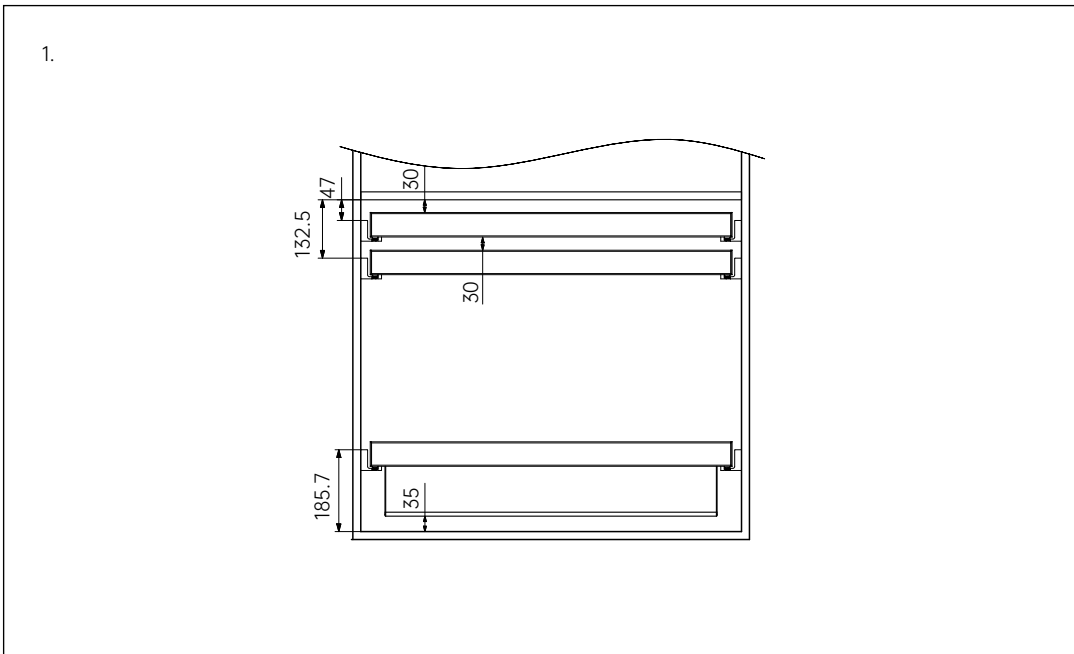
## ● Parts list

<p><b>A</b> X 1SET</p>  <p>Rail</p>	<p><b>B</b> X 8PCS</p>  <p>M4*25 Self-tapping screws</p>	<p><b>C</b> X 1PCS</p>  <p>Grid Basket Frame</p>
--	---	---

## ● Product Specifications and Applicable Cabinet Width

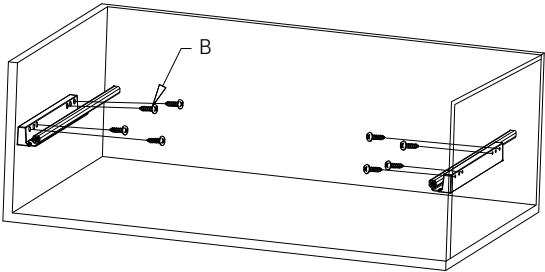
Specifications (W x D x H) mm	Applicable Cabinet Internal Width (Y) mm
564x466x184	560-568mm
664x466x184	660-668mm
764x466x184	760-768mm
864x466x184	860-868mm

## ● Installation Steps

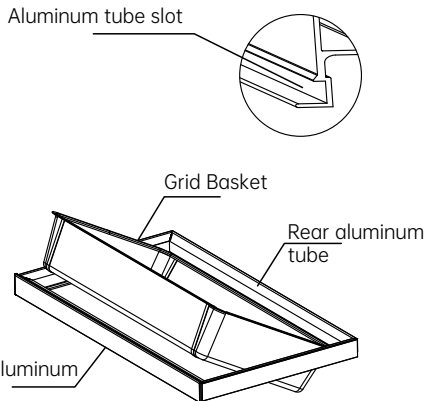


# Installation instruction02

3. Secure A to the side board with B, ensuring that A on both sides are at the same horizontal level.



4. Tilt one side of the grid basket, place it into the rear aluminum tube slot, and then press the other side down into the front aluminum tube slot.



5. The frame comes with adhesive Velcro; align it with the Velcro on A and adjust it to be horizontal during installation.

