

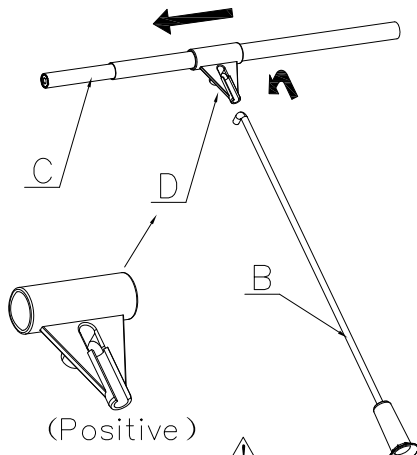
Drop Hanger Assembly Instruction

Assembly steps:

- 1, Assemble B.C.D.J as drawing.
- 2, Fix A on the both inner sides of the cabinet with screw G
- 3, Pull down the left and right arms of the accessory A, connect the plastic parts E and F, insert the pull rod and fix the screw H with the hexagonal key I. Finally, adjust the length of fittings C (adjusting method: hold the outer pipe, then tighten in the direction of Figure 3) under the action of the eccentric component inside. Natural locking.
- 4, Finished as drawing.
- 5, Recommend installation height $\geq 2400\text{mm}$, load bearing capacity 7.5kg.

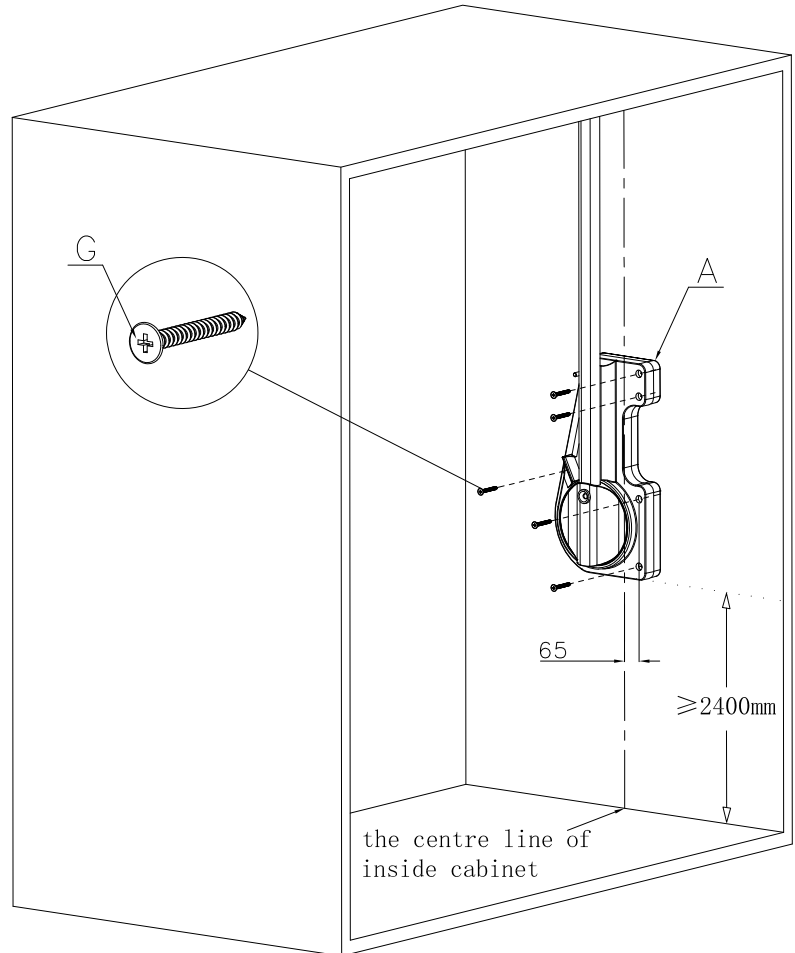
Component List					
A 2pcs	B 1pcs	C 1pcs	D 1pcs	E 2pcs	F 1pcs
		G 10pcs	H 2pcs	I 1pcs	J 10pcs

As shown by the arrow, fitting D is placed on fitting C in the direction shown

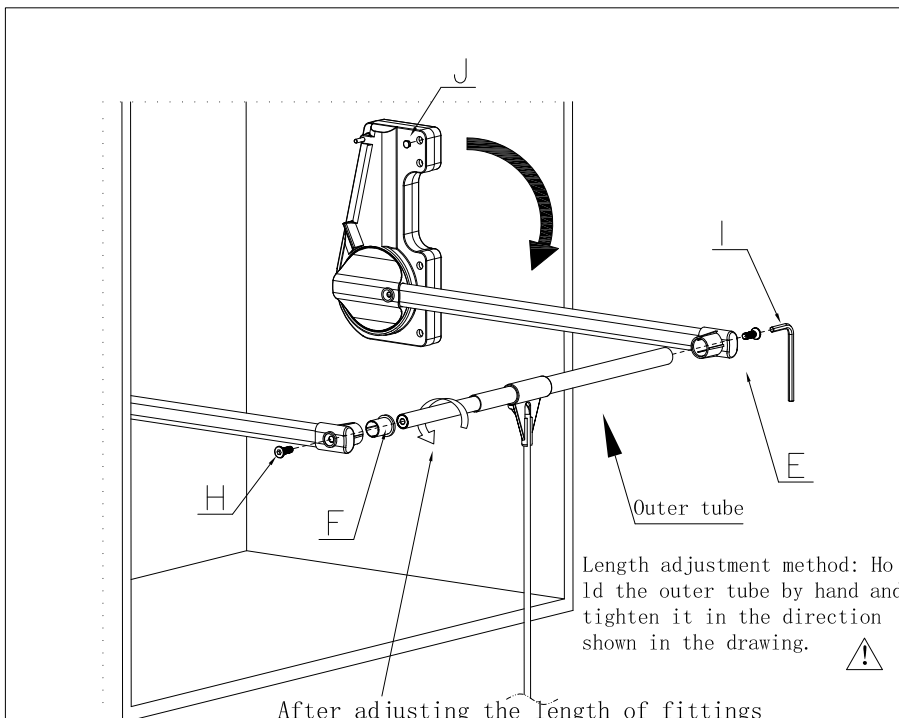


Note: accessories D must be installed face up

1



2



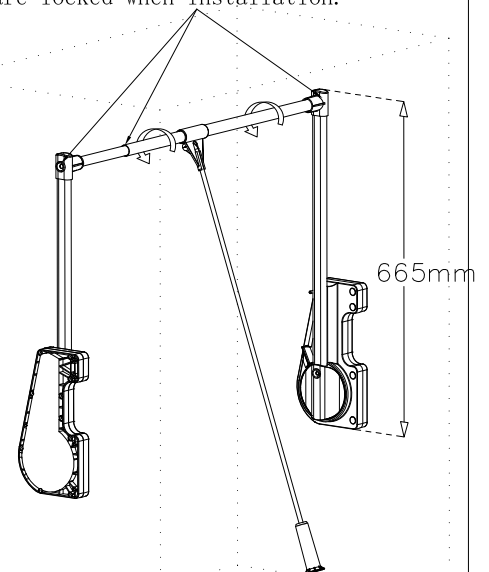
Length adjustment method: Hold the outer tube by hand and tighten it in the direction shown in the drawing.



After adjusting the length of fittings C, tighten it by rotating in the direction of the drawing, and loosen it.

3

⚠ Please ensure these three positions are locked when installation.



(The height after assembly: 820mm)

4